

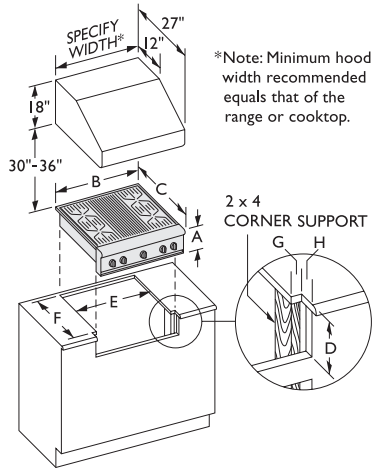
PLANNING GUIDE

professional series

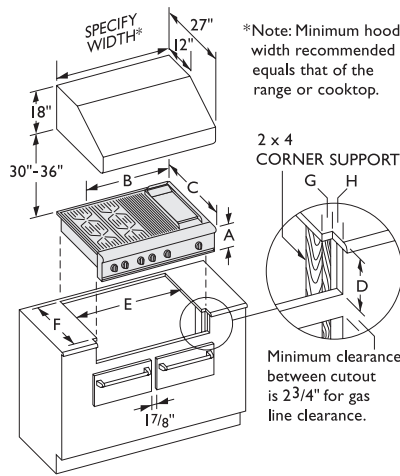
create.

Thermador[®]

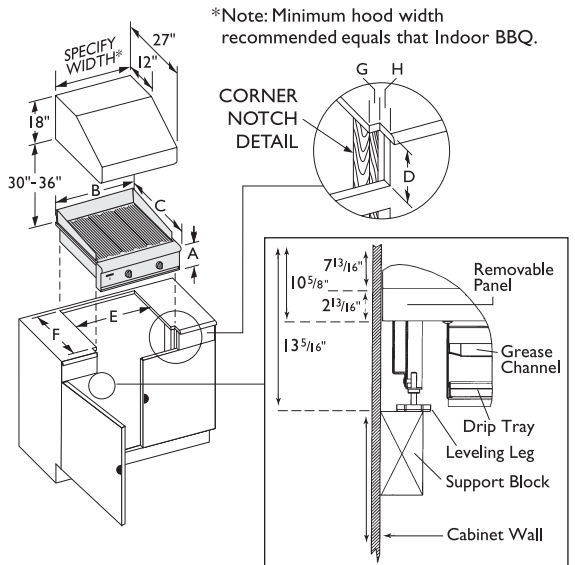
**Thermador Professional®
36" Cooktop Cutout**



**Thermador Professional® 48" Cooktop
Cutout and Optional Warming Drawers**



Thermador Professional® 30" Indoor Grill Cutout



Model No.	BTU/HR.	Overall Dimensions				Cutout Dimensions*				
		Max.	A	B	C	D	E	F (min.)	G	H
Professional® Cooktops										
P24WKZS	30,000		8 ¹ / ₈	24 ³ / ₄	26 ¹ / ₂	7 ¹³ / ₁₆	24	22 ¹¹ / ₁₆	3/ ₈	2
PB30ZS [†]	40,000		8 ¹ / ₈	29 ⁵ / ₁₆	26 ¹ / ₂	13 ⁵ / ₁₆	29 ⁵ / ₈	22 ¹¹ / ₁₆	3/ ₈	2
PSC364GDZS	75,000		8 ¹ / ₈	35 ⁷ / ₈	26 ¹ / ₂	7 ¹³ / ₁₆	35 ¹ / ₈	22 ¹¹ / ₁₆	3/ ₈	2
PSC364GLZS	78,000									
PSC366ZS	90,000									
PSC484GGZS	93,000		8 ¹ / ₈	47 ⁷ / ₈	26 ¹ / ₂	7 ¹³ / ₁₆	46 ¹ / ₄	22 ¹¹ / ₁₆	13/ ₁₆	2
PSC486GDZS	105,000									
PSC486GLZS	108,000									
PSC484WKZS	90,000									

Back Guard Accessories

	24"	30"	36"	48"
12" Low Back Guard ^{††}	GP24LBS	GPS30LBS	GPS36LBS	GPS48LBS
Island Trim ^{††}	GP24ITS	GPS30ITS	GPS36ITS	GPS48ITS

General Information

MODEL NUMBER	PSC364GDZS	PSC364GLZS	PSC366ZS	PSC484GGZS	PSC486GDZS	PSC486GLZS	PSC484WKZS	PB30ZS [†]	P24WKZS
120 Volts, 3 Prong Plug, 60 Hz, Single Phase A.C., 15 Amps	■	■	■	■	■	■	■	■	■
Fuel Type	NG	NG	NG	NG	NG	NG	NG	NG	NG
Approx. Shipping Weight (lbs)	150	155	145	220	190	190	200	160	150
L.P. Converter Orifices								Included	Included
L.P. Converter Orifices, order (CTLPKIT)	■	■	■	■	■	■	■		

Notes: All height, width and depth dimensions are shown in inches. *Please refer to installation instructions prior to making cutout. Installation instructions and back guard information are available on www.thermador.com. Approved for residential use only.

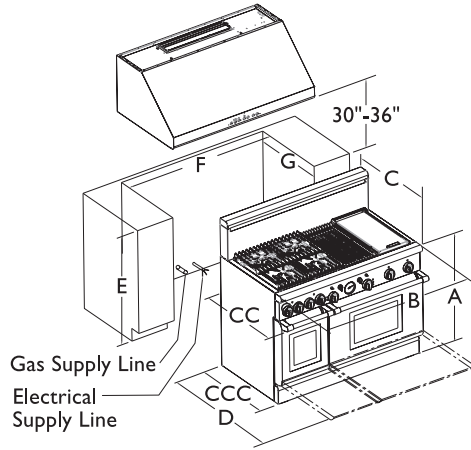
[†]Ventilation is strongly recommended installed above the Indoor BBQ Grill with a minimum of 1000 CFM blower. Ventilation products using mesh filters should not be used. Thermador's "PH" wall series hoods have been tested to be the correct ventilation product for this grill. PB30ZS wall installation only. Island Installations are not recommended. ^{††}Order separately.



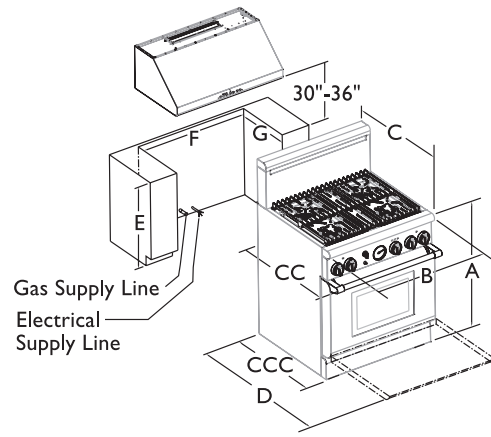
Ranges and cooktops are CGA and AGA approved.

For immediate critical installation dimensions by fax, use your fax handset and call (775) 833-3600. Use code #8030 for a directory of Thermador® products.

Thermador Professional® Dual-Fuel Range Cutout



Thermador Professional® All-Gas Self-Cleaning Range Cutout



Model No.	BTU/Hr.** Ovens Kw.		Overall Dimensions						Cutout Dimensions*		
	Max.	Max.	A**	B	C†	CC	CCC	D	E	F	G

Professional Dual-Fuel Ranges

PDR304ZS	60,000	4.3	35 ³ / ₈ to 36 ³ / ₄	29 ⁷ / ₈	29 ¹ / ₂	32 ⁵ / ₈	28 ³ / ₈	47 ³ / ₈	35 ³ / ₈ to 36 ³ / ₄	30	24 to 25 ¹ / ₂
PDR364GDZS PDR364GLZS PDR366ZS	75,000 78,000 90,000	6.8	35 ³ / ₈ to 36 ³ / ₄	35 ⁷ / ₈	29 ¹ / ₂	32 ⁵ / ₈	28 ³ / ₈	47 ³ / ₈	35 ³ / ₈ to 36 ³ / ₄	36	24 to 29 ¹ / ₂
PDR484GGZS PDR486GDZS PDR486GLZS	93,000 105,000 108,000	10.6	35 ³ / ₈ to 36 ³ / ₄	47 ⁷ / ₈	29 ¹ / ₂	32 ⁵ / ₈	28 ³ / ₈	47 ³ / ₈	35 ³ / ₈ to 36 ³ / ₄	48	24 to 25 ¹ / ₂

Professional All-Gas Self-Cleaning Ranges

PGR304ZS	85,000	N/A	35 ³ / ₈ to 36 ³ / ₄	29 ⁷ / ₈	29 ¹ / ₂	32 ⁵ / ₈	28 ³ / ₈	47 ³ / ₈	35 ³ / ₈ to 36 ³ / ₄	30	24 to 25 ¹ / ₂
PGR364GDZS PGR364GLZS PGR366ZS	105,000 108,000 120,000	N/A	35 ³ / ₈ to 36 ³ / ₄	35 ⁷ / ₈	29 ¹ / ₂	32 ⁵ / ₈	28 ³ / ₈	47 ³ / ₈	35 ³ / ₈ to 36 ³ / ₄	36	24 to 29 ¹ / ₂
PGR484GGZS PGR486GDZS PGR486GLZS	138,000 150,000 153,000	N/A	35 ³ / ₈ to 36 ³ / ₄	47 ⁷ / ₈	29 ¹ / ₂	32 ⁵ / ₈	28 ³ / ₈	47 ³ / ₈	35 ³ / ₈ to 36 ³ / ₄	48	24 to 25 ¹ / ₂

Professional Range Back Guard Feature Options***

RANGE SIZE	Dual-Fuel/All-Gas Self-Cleaning Range		
	30" Range	36" Range	48" Range
22" High Back Shelf	HS30R	HS36R	HS48R
12" Low Back Guard	N/A	LB36R	LB48R
9" Back Guard	Included	N/A	N/A
Island Trim Piece	IT30R	IT36R	IT48R

General Information

RANGE SIZE	Dual-Fuel Range			All-Gas Self-Cleaning Range		
	30" Range	36" Range	48" Range	30" Range	36" Range	48" Range
120 Volts, 3 Prong Plug, 60 Hz, Single Phase A.C., 15 Amps				■	■	■
120/240 or 120/208 Volts, 4 Wire, 60 Hz, Single Phase	■ /35 Amp	■ /40 Amp	■ /50 Amp			
Approximate Shipping Weight (lbs)	330	375	570			

L.P. Converter orifices - PDR ranges order (CTLPKIT). All-Gas Self-Cleaning PGR ranges factory (NG) Natural Gas or ordered factory (LP) Liquid Propane separately.

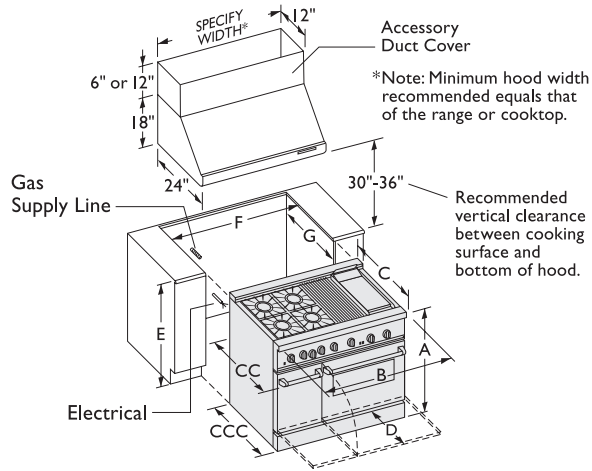
Notes: 1) All height, width and depth dimensions are shown in inches. 2) Oven doors should be removed for doorway clearance. *Please refer to installation instructions prior to making cutout. Installation instructions and back guard information are available on www.thermador.com. **Height without back guard or high shelf. †Measured to front of bullnose. ††BTU/Hr. includes surface burners and the oven. ***You must install your professional range with one of the back guards listed above. They are ordered separately - except for the 30" range, which comes standard with a 9" back guard. Approved for residential use only.



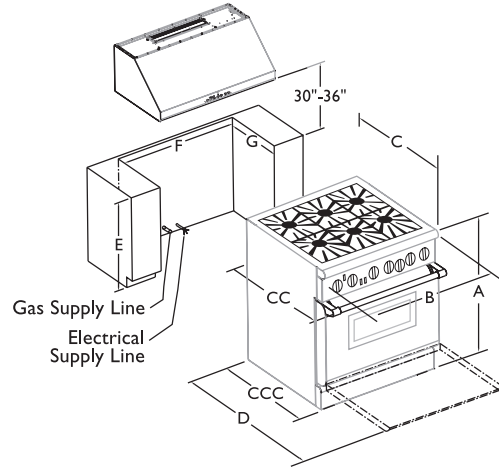
Ranges and cooktops are CGA and AGA approved.

For immediate critical installation dimensions by fax, use your fax handset and call (775) 833-3600. Use code #8030 for a directory of Thermador® products.

**Thermador Professional®
48" Classic All-Gas Range Cutout**



**Thermador Professional®
30" & 36" Classic All-Gas Range Cutout**



Model No.	BTU/Hr.†† Ovens Kw.		Overall Dimensions						Cutout Dimensions*		
	Max.	Max.	A**	B	C†	CC‡	CCC	D	E	F	G
Professional Classic All-Gas Ranges											
PRG304US	85,000	N/A	35 ³ / ₈ to 36 ³ / ₄	29 ⁷ / ₈	27 ⁵ / ₈	28 ³ / ₄	26 ³ / ₈	43	35 ³ / ₈ to 36 ³ / ₄	30	24 to 26 ³ / ₈
PRG364GDUS	105,000	N/A	35 ³ / ₈ to 36 ³ / ₄	35 ⁷ / ₈	29 ³ / ₈	30 ³ / ₄	28	43 ³ / ₈	35 ³ / ₈ to 36 ³ / ₄	36	24 to 28
PRG364GLUS	108,000										
PRG366US	120,000										
PRG484GGUS	165,000	N/A	35 ³ / ₈ to 36 ³ / ₄	47 ⁷ / ₈	29 ³ / ₈	30 ³ / ₄	27	43 ³ / ₈	35 ³ / ₈ to 36 ³ / ₄	48	24 to 28
PRG486GLUS	177,000										
PRG486GDUS	180,000										

Professional Range Back Guard Feature Options***

Range Size	Classic All-Gas Range		
	30" Range	36" Range	48" Range
22" High Back Shelf	PHS30T	PHS36T	PHS48U
12" Low Back Guard	N/A	PRS36LBS	PRS48LBU
9" Back Guard	Included	N/A	N/A
Island Trim Piece	PRS30ITS	PRS36ITS	PRS48ITU

General Information

Range Size	Classic All-Gas PRG Range		
	30" Range	36" Range	48" Range
120 Volts, 3 Prong Plug, 60 Hz, Single Phase A.C., 15 Amps	■	■	■
Approx. Shipping Weight (lbs)	330	375	570

L.P. Converter orifices - PRG ranges order (PROGASLPKIT).

Notes: 1) All height, width and depth dimensions are shown in inches. 2) Oven doors should be removed for doorway clearance. *Please refer to installation instructions prior to making cutout. Installation instructions and back guard information are available on www.thermador.com. **Height without back guard or high shelf. †Measured to front of bullnose. ††BTU/Hr. includes surface burners and the oven. ***You must install your professional range with one of the back guards listed above. They are ordered separately - except for the 30" range, which comes standard with a 9" back guard. Approved for residential use only. ‡Measured to front of door handle projection.



Ranges and cooktops are CGA and AGA approved.

For immediate critical installation dimensions by fax, use your fax handset and call (775) 833-3600. Use code #8030 for a directory of Thermador® products.