

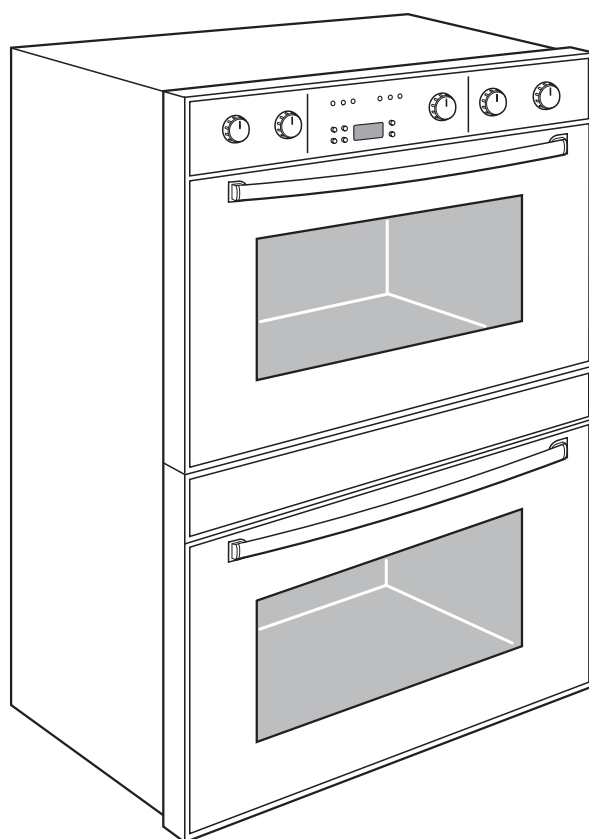
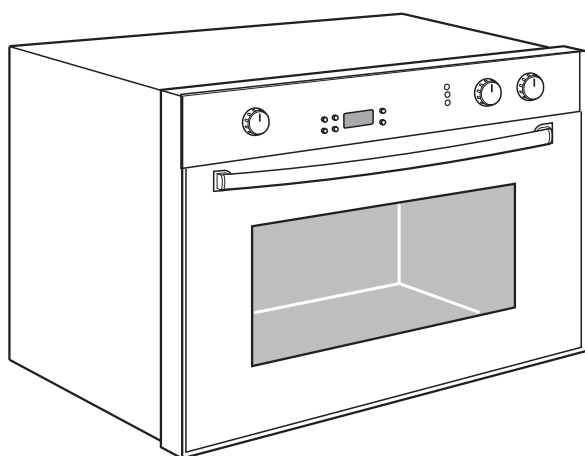
BOSCH

INSTALLATION INSTRUCTION MANUAL

for

Bosch Electric Built-in

Single & Double Oven Models HBN 44../45../46..



MANUEL D'INSTALLATION
four électrique Bosch encastré,
simple et double
Models HBN 44../45../46..

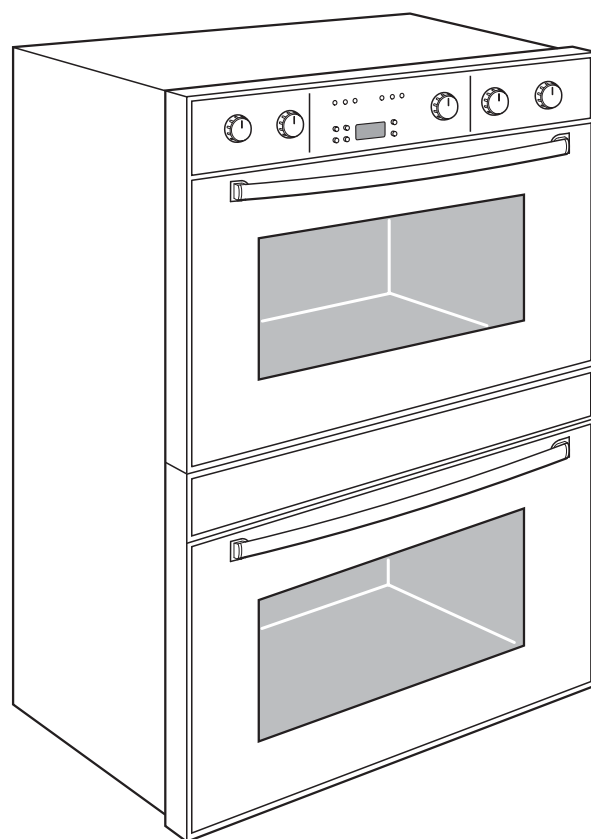
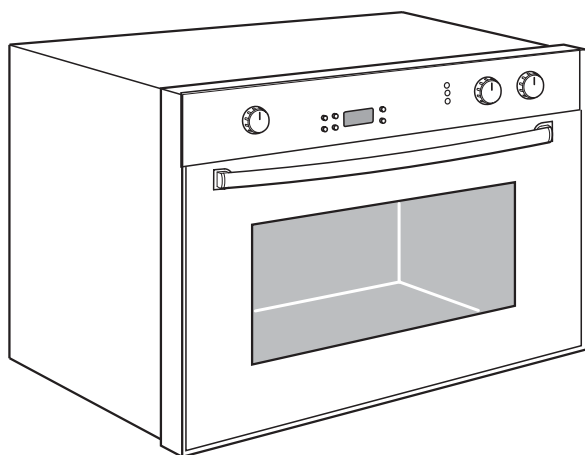
BOSCH

INSTALLATION INSTRUCTION MANUAL

for

Bosch Electric Built-in

Single & Double Oven Models HBN 44../45../46..



BEFORE YOU BEGIN, READ THESE INSTRUCTIONS COMPLETELY AND CAREFULLY

IMPORTANT: Save these instructions for the local electrical inspector's use
INSTALLER: Please leave this manual with owner for future reference.
OWNER: Please keep this manual for future reference

Table of Contents

INTRODUCTION	3
TOOLS YOU WILL NEED	3
POWER REQUIREMENTS	3
CHOOSING OVEN LOCATION.....	3
STEPS FOR INSTALLATION	3
TECHNICAL DATA	4
SINGLE OVEN.....	4
DOUBLE OVEN.....	4
UNDERCOUNTER INSTALLATION	5
SINGLE OVEN.....	5
WALL INSTALLATION	6
SINGLE OVEN.....	6
DOUBLE OVEN.....	7
ELECTRICAL SUPPLY	8
WIRING REQUIREMENTS	8
CONNECTING TO 208 VOLT CIRCUIT	9
ELECTRICAL CONNECTIONS	10
3-WIRE BRANCH CIRCUIT.....	10
4-WIRE BRANCH CIRCUIT.....	10
FINAL CHECKLIST	11

INTRODUCTION

Please read these instructions COMPLETELY AND CAREFULLY. They will save you time and effort and help to ensure optimum oven performance. Be sure to observe all WARNINGS.

These installation instructions are intended for use by a qualified installer. In addition to these instructions the oven shall be installed:

- In the United States, in accordance with the National Electric Code/State and Municipal codes and/or local codes.
- In Canada, in accordance with Canadian Electric Code C22.1-latest edition/Provincial and Municipal codes and/or local codes.

These shall be carefully followed at all times.

Note: If installing your oven in Canada please check to make sure that you have a model with the UL Canadian listing mark, as shown below:



The UL Canadian listing mark consists of the circled UL symbol preceded by the letter “C”, as shown. This should appear on the oven’s rating plate along with the UL United States listing mark, which is the circled UL symbol above but not preceded by the letter “C”.

TOOLS YOU WILL NEED

The following tools are needed to install your new oven:

- Tape measure and straightedge or ruler
- Pencil
- Phillips screwdriver
- Level
- Wire cutters and wire stripper
- 1" hole saw
- Hand or saber saw.

POWER REQUIREMENTS

The oven must be supplied with the proper voltage and frequency. The oven is manufactured to be connected to a three wire or four wire, single phase, 240 volt, 60 Hz AC electrical supply on a separate circuit fused on both sides of the line. If

a 208 volt circuit must be used, wiring inside the oven must be modified. See **Connection to a 208 Volt Circuit**, in this manual. A circuit breaker or time-delay fuse sized not to exceed the circuit rating of the appliance specified on the rating plate located on the frame behind the door of the oven is recommended.

The oven must be supplied with copper wires ONLY.

It is recommended that you have the electrical wiring and hook-up of your oven performed by a qualified electrician. After installation is complete have the electrician show you where the main disconnect is and which of the circuit breakers/fuses are for the oven.

CHOOSING OVEN LOCATION

Carefully select the location where the oven will be placed. The oven should be located for convenient use in the kitchen, but away from strong drafts. Strong drafts may be caused by open doors or windows, or by heating and/or air conditioning vents or fans. Make sure that electrical power can be provided to the location selected.

STEPS FOR INSTALLATION

The following pages provide the necessary information for proper installation of the oven arranged as follows:

- Technical Data
- Installation Cutout Dimensions, Required Clearances and Mounting instructions for:
 - > Undercounter Installation, Single Oven
 - > Wall Installation, Single Oven
 - > Wall Installation, Double Oven
- Electrical Supply and Wiring Requirements
- Modifications required if Connecting to 208 Volt Circuit.
- Electrical Connections for 3-wire or 4-wire Branch Circuit.
- Final Checklist.

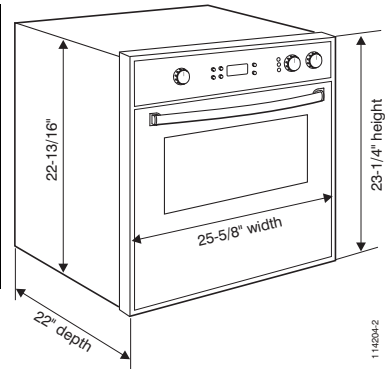
TECHNICAL DATA

SINGLE OVEN

For cutout dimensions see following sections titled:

Preparing Location

Single Oven Models	Electrical Ratings and Maximum Connected Load				Convection Oven
	Volts	Hertz	Amperes @ 240V/208V	Watts @ 240V/208V	
HBL 442A UC	240/208	60	13.5/13.6	3,250/2,820	Yes
HBL 445A UC	240/208	60	13.5/13.6	3,250/2,820	Yes
HBL 446A UC	240/208	60	13.5/13.6	3,250/2,820	Yes



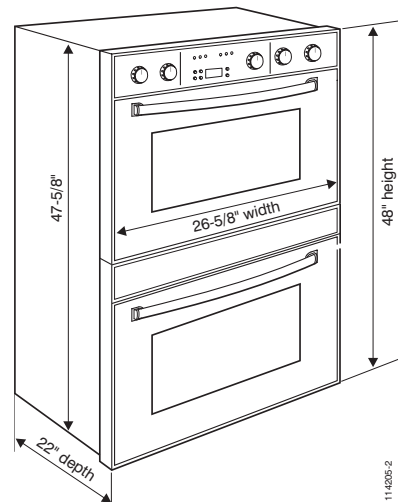
114204-2

DOUBLE OVEN

For cutout dimensions see following sections titled:

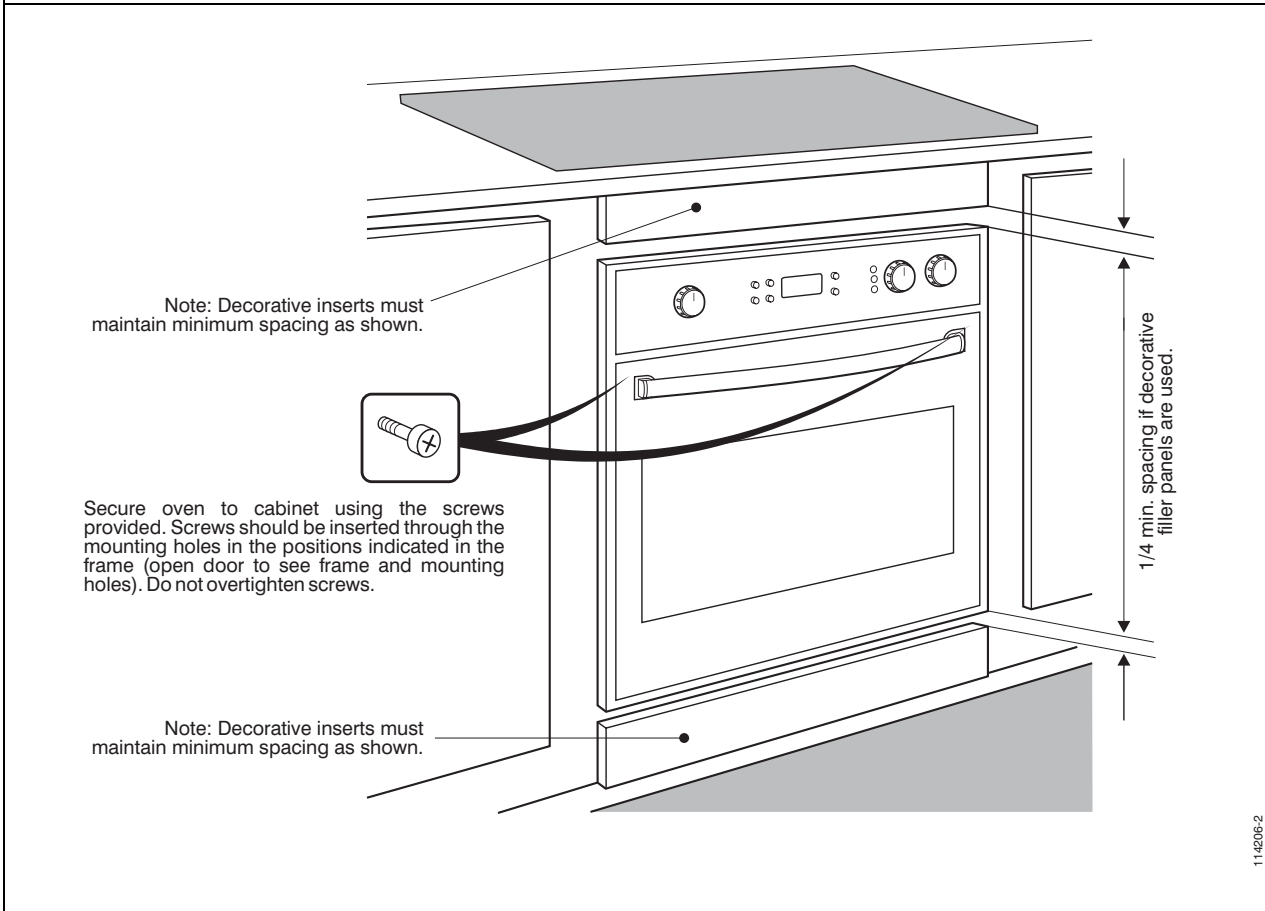
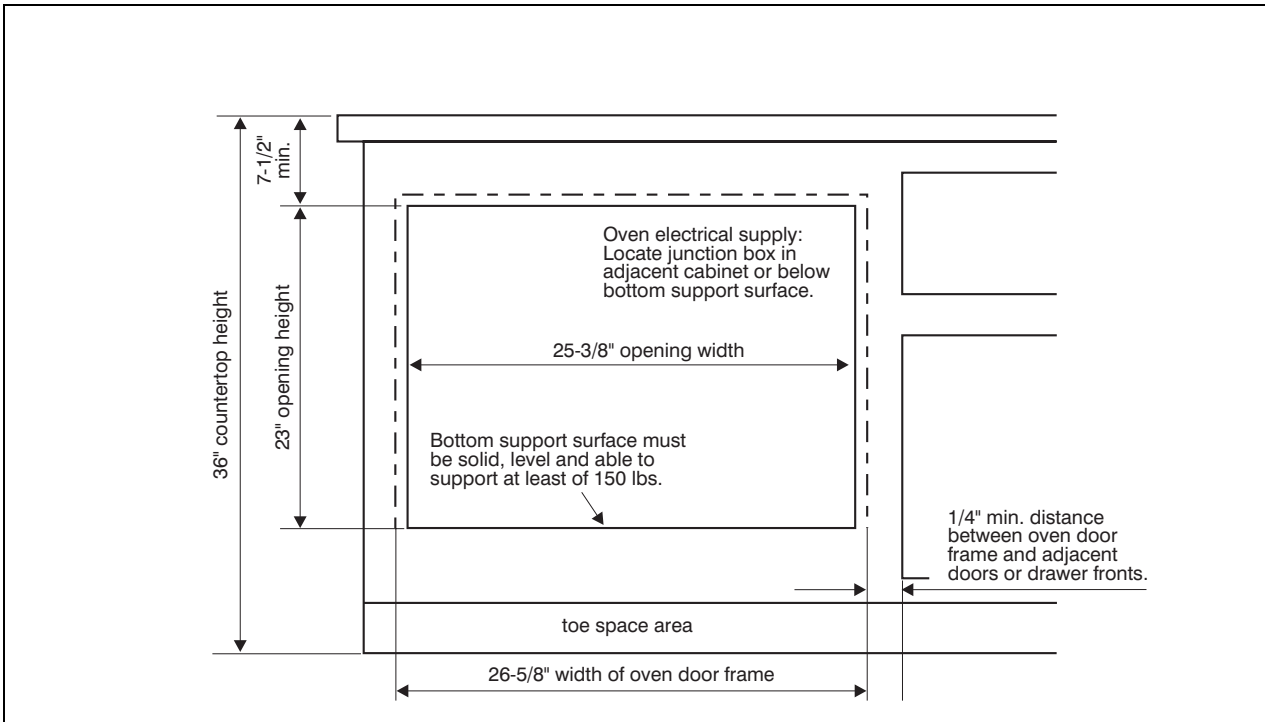
Preparing Location

Double Oven Models	Electrical Ratings and Maximum Connected Load				Convection Oven (top/bottom)
	Volts	Hertz	Amperes @ 240V/208V	Watts @ 240V/208V	
HBN 452A UC	240/208	60	26/26	6,250/5,400	Yes/No
HBN 455A UC	240/208	60	26/26	6,250/5,400	Yes/No
HBN 456A UC	240/208	60	26/26	6,250/5,400	Yes/No
HBN 462A UC	240/208	60	26/26	6,250/5,400	Yes/Yes
HBN 465A UC	240/208	60	26/26	6,250/5,400	Yes/Yes
HBN 466A UC	240/208	60	26/26	6,250/5,400	Yes/Yes



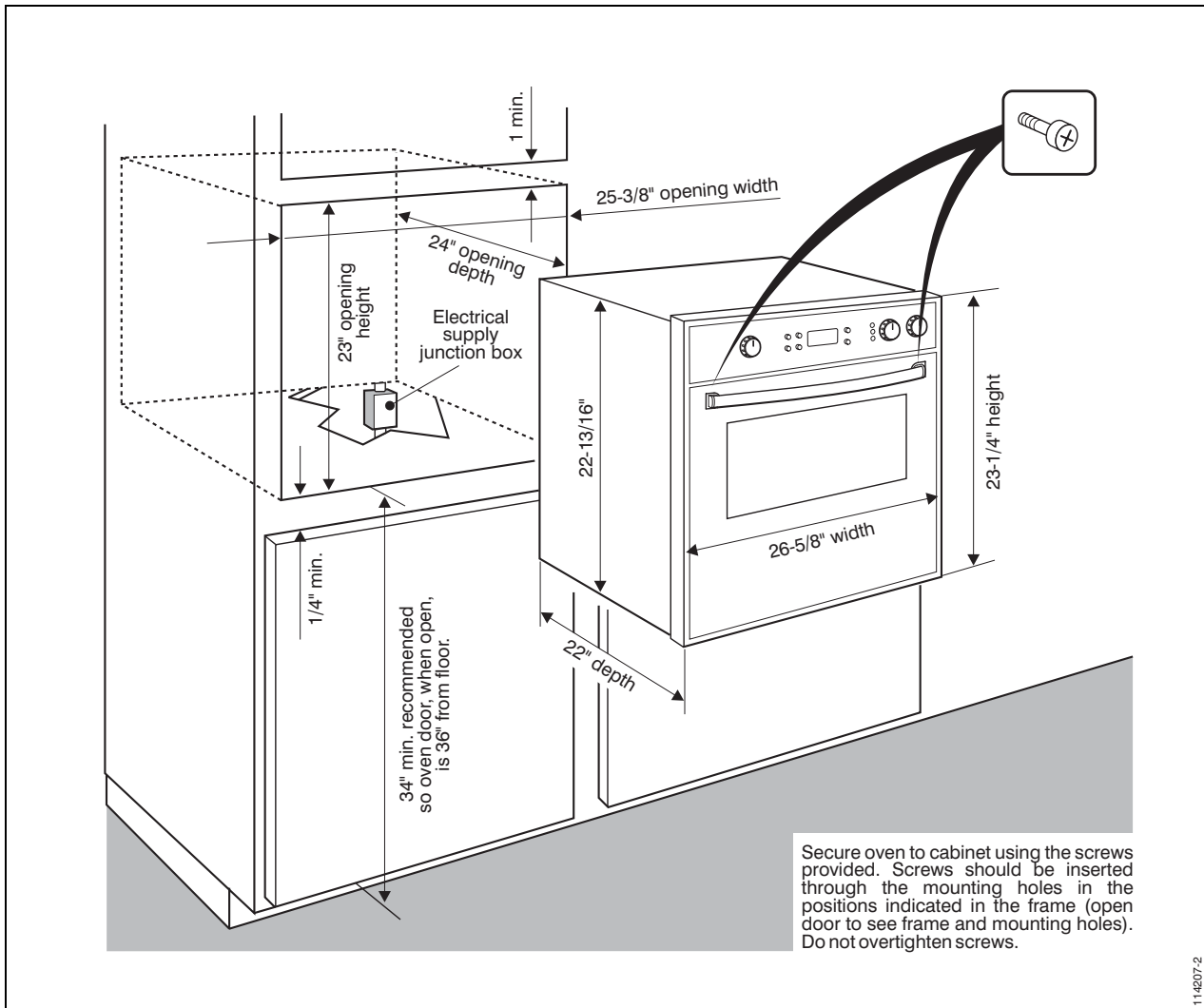
114205-2

UNDERCOUNTER INSTALLATION, SINGLE



Refer to and follow Notes and Warning listed under **Wall Installation, Single Oven** (facing page)

WALL INSTALLATION, SINGLE OVEN



- Note:**
1. Do not slide oven across floor. Damage to floor covering or floor could result.
 2. The oven support surface must be a minimum 3/4" thick plywood platform, solid, level and flush with the bottom of the cabinet cutout.
 3. Use extreme caution when moving or installing the oven. It is very heavy.
 4. Be very careful when moving or installing the oven to avoid damage to the oven frame or damage to the cabinets.
 5. Be sure to level oven. An oven that is not level may provide poor or inconsistent baking results.

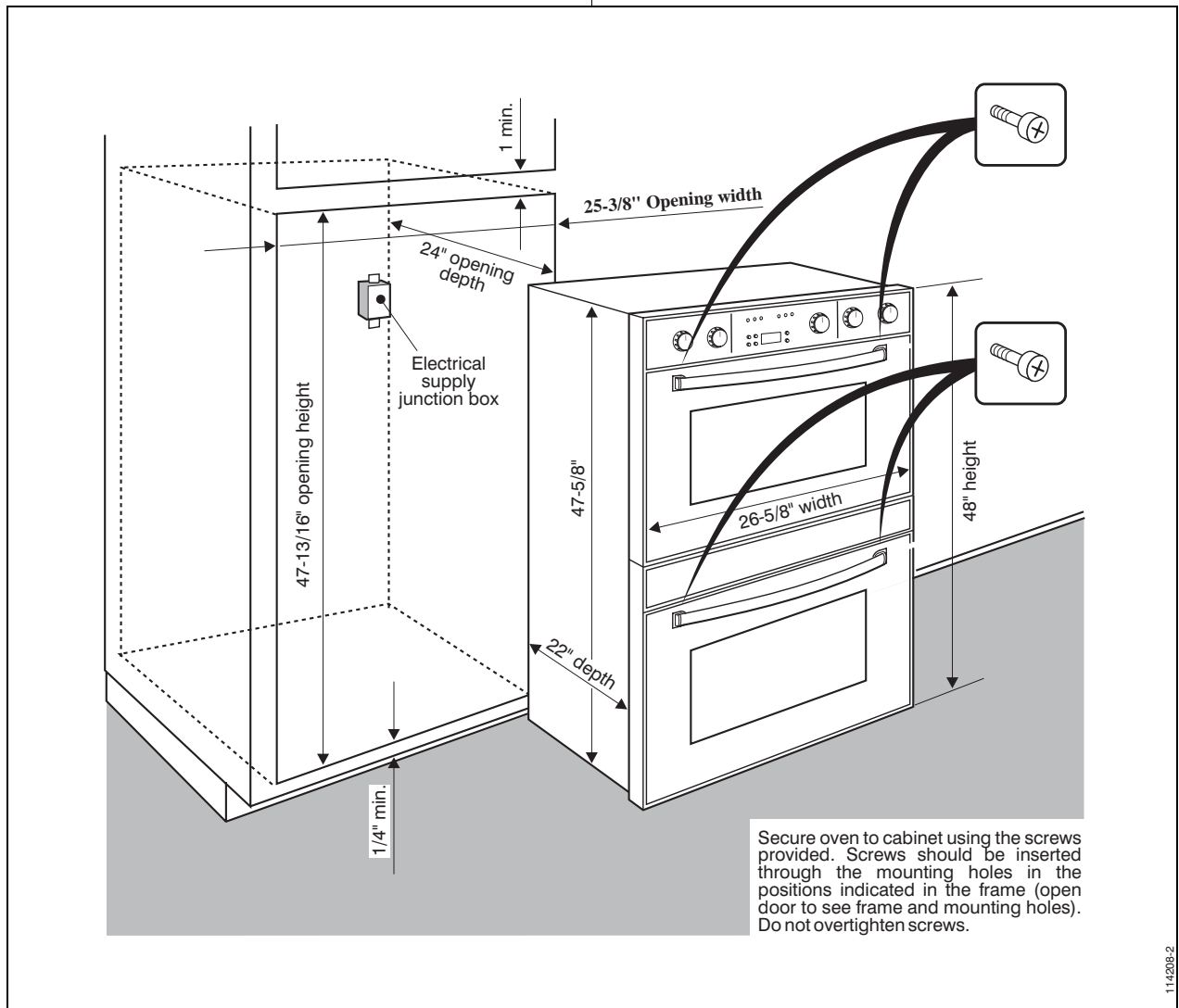
6. Be careful when placing oven. DO NOT pinch the conduit between the oven back or wall and the inner cabinet wall or floor.



WARNING

Securely fasten oven to cabinet using the screws provided. Failure to do so could result in oven moving or tipping during use and causing damage to the oven or cabinets or personal injury.

WALL INSTALLATION, DOUBLE OVEN



- Note:**
1. Do not slide oven across floor. Damage to floor covering or floor could result.
 2. The oven support surface must be a minimum 3/4" thick plywood platform, solid, level and flush with the bottom of the cabinet cutout.
 3. Use extreme caution when moving or installing the oven. It is very heavy.
 4. Be very careful when moving or installing the oven to avoid damage to the oven frame or damage to the cabinets.
 5. Be sure to level oven. An oven that is not level may provide poor or inconsistent baking results.

6. Be careful when placing oven. DO NOT pinch the conduit between the oven back or wall and the inner cabinet wall or floor.



WARNING

Securely fasten oven to cabinet using the screws provided. Failure to do so could result in oven moving or tipping during use and causing damage to the oven or cabinets or personal injury.

ELECTRICAL SUPPLY

Before installing the oven have a qualified electrician verify that your home is provided with adequate electrical service and that the addition of the oven will not overload the branch circuit on which it is to be installed. A separate three-wire or four-wire single phase, 240 Volt, 60 Hz., or a 208 Volt, 60 Hz. branch circuit is required.

Note: For use with 208 V, 60 Hz supply voltage the wiring must be modified as shown in **Connecting to 208 Volt Circuit.**

For hook-up of the oven you will need to have an approved junction box installed where it will be easily reached through the front of the cabinet where the oven will be located. The oven has 3 feet of conduit. Allow two to three feet of slack in the line so that the oven can be moved if servicing is ever necessary. **DO NOT** shorten the flexible conduit.



WARNING

ELECTRICAL SHOCK HAZARD

- The electrical power to the oven branch circuit must be shut off while line connections are being made.
- Do not use an extension cord with this appliance.
- Electrical ground is required on this appliance. The free end of the green wire (the ground wire) must be connected to a suitable ground.
This wire must remain grounded to the oven.
- If cold water pipe is interrupted by plastic, non-metallic gaskets, union connections or other insulating materials, **DO NOT** use for grounding.
- **DO NOT** ground to a gas pipe.
- **DO NOT** have a fuse in the **NEUTRAL** or **GROUNDING** circuit. A fuse in the **NEUTRAL** or **GROUNDING** circuit could result in an electrical shock.
- Check with a qualified electrician if you are in doubt as to whether the appliance is properly grounded.

Failure to follow these instructions could result in serious injury or death.

WIRING REQUIREMENTS

When making the wire connections, use the entire length of the conduit provided (3 feet). The conduit must not be cut.

Before making connections make sure the power is off and read and observe the following:

1. A separate three-wire or four wire, single phase, 240 Volt, 60 Hz. or 208 Volt, 60 Hz branch circuit is required for the oven.

2. The oven must be connected with **COPPER WIRE ONLY.**

3. **In the United States:**

Wiring must conform to the National Electrical Code, ANSI/NFPA No. 70 latest edition. You can obtain a copy of the National Electrical Code by writing:

National Fire Protection Association
Batterymarch Park
Quincy, MA 02269

In Canada:

Wiring must conform to Canadian Electrical Code C22.1- latest edition. You can obtain copies of the Canadian Electrical Code by writing:

Canadian Standards Association
178 Rexdale Boulevard
Rexdale (Toronto), Ontario, Canada
M9W 1R3

4. Wire size (**COPPER WIRE ONLY**) and connections must be suitable for the rating of the appliance per the National Electrical Code requirements. The flexible armored cable extending from the oven should be connected directly to the junction box.

5. The junction box should be located so as to allow as much slack as possible between the junction box and the oven so it can be moved if servicing is ever required.

6. A U.L. listed conduit connector must be provided at each end of the power supply cable.

CONNECTING TO 208 V CIRCUIT

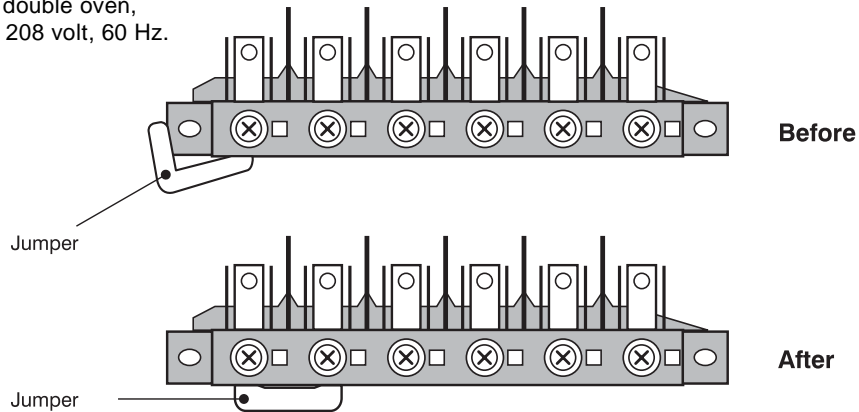
The ovens are pre-wired for connection to 240 volt, 60 Hertz supply. If connecting to a 208 volt, 60 Hz. supply a jumper must be used across two terminals. For the double oven models there are two jumpers, one for the upper oven and one for the lower oven. For the single ovens there is one jumper.

Please refer to figures below for placement of jumper for 208 volt, 60 hertz connection.

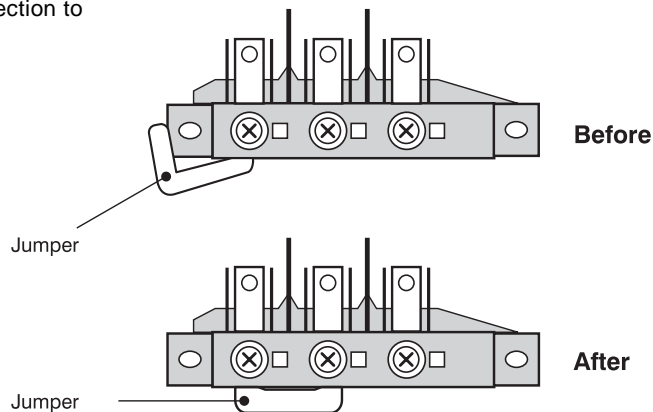
To connect to 208 volt circuit:

- 1 Remove the access panel(s) located on the back of the oven(s).
2. Loosen the first and second screws in the terminal block as shown in applicable figure above.
3. Place the metal jumper between the first and second screws and tighten screws to hold jumper in place.
4. Replace access panel(s).

Placing of jumper for single oven or upper oven of double oven, for connection to 208 volt, 60 Hz.



Placing of jumper for lower oven of double oven, for connection to 208 volt, 60 Hz.



ELECTRICAL CONNECTIONS

This appliances is manufactured with a green GROUND wire connected to the oven chassis. After making sure that the power has been turned off connect the flexible conduit from the oven to the junction box using a U.L. listed conduit connector. Figures A and B and the instructions provided below present the most common way of connecting the ovens. Your local codes and ordinances, of course, take precedence to these instructions. Complete electrical connections according to local codes and ordinances.

3-WIRE BRANCH CIRCUIT

Refer to Figure A, where local codes allow the connection of GROUND wire from the oven to the branch circuit NEUTRAL wire (grey or white colored wire):

- If local codes permit, connect the green GROUND wire from the oven and the white wire from the oven to the branch circuit NEUTRAL wire (grey or white colored wire).
- Connect the red and black leads from the oven to the corresponding leads in the junction box.

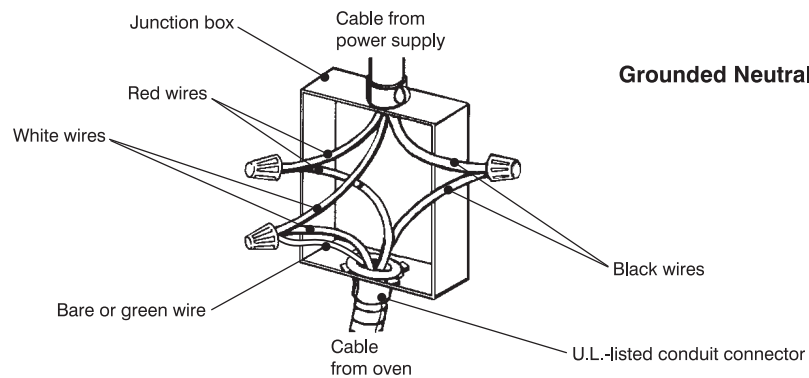


Figure A.

1140752

4-WIRE BRANCH CIRCUIT

Refer to Figure B:

- Connect the green GROUND wire from the oven to the GROUND wire in the junction box (bare or green colored wire).

- Connect the red and black leads from the oven to the corresponding leads in the junction box.
- Connect the white wire from the oven to the NEUTRAL (grey or white) wire in the junction box.

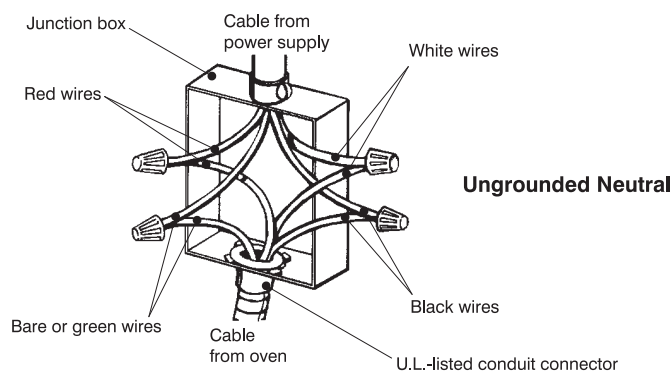


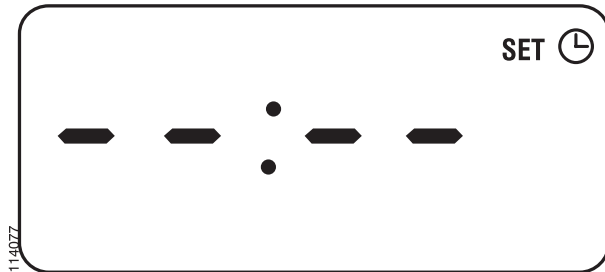
Figure B.

1140752

FINAL CHECK LIST

To prevent improper connections leading to damage of electrical components and so voiding the warranty, the following steps must be performed:

1. Check the electrical requirements and make sure you have the correct electrical supply and that the oven is properly grounded.
2. Make sure all control knobs are in the off position.
3. Turn on the power supply to the oven. When the oven is first turned on the display will come on showing all the call-outs and then will become blank with the Set Clock symbol in the upper right corner, as shown below.



4. Check power at the junction box wires using a volt meter having a range of 0-250 VAC. If you have installed the oven for use on 240 volt supply you should find that the voltage reading between the black and red wires (Line to Line) should be 220 to 240 volts. If

you have modified the oven(s) for use on 208 volt the voltage reading between the black and red wires should be 190 to 208 volts.

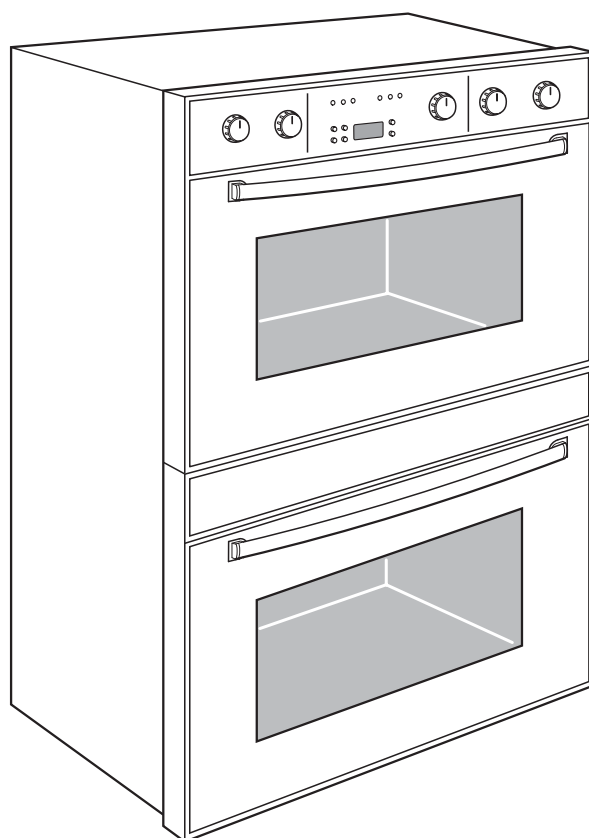
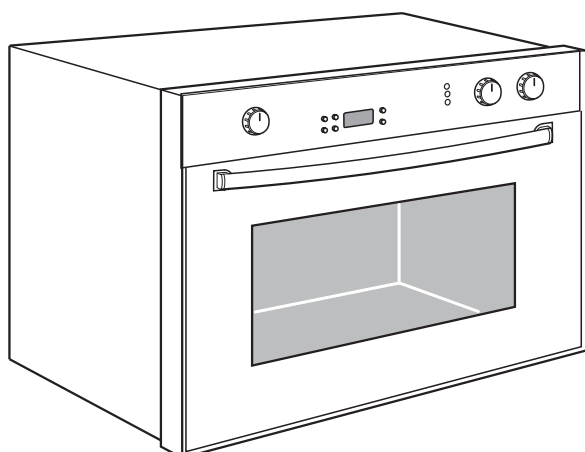
5. Set the time of day by pressing the **Set Clock** button and pressing the plus (+) or minus (-) button, to the right of the display to set the correct time. Once the time is set depress the Set Clock button to enter the time. A "beep" will sound and the Set Clock symbol in the upper right will disappear.
6. Turn the Mode Selector knob to Manual position, the Selector knob to Bake and turn the Temperature knob to 350 °F. The cooling fan, the oven lights and the heat light should come on to indicate that the oven is heating. The heat light will turn off when the set temperature (350 °F) is reached. Turn Temperature knob to off. If you have installed a double oven repeat test for second oven.
7. To check the other oven functions refer to the Using the Oven Controls section of the Use and Care Manual.
8. If the oven is working properly turn the Selector knob(s) and the Temperature Control knob(s) to their off positions and turn off the power supply to the oven.
9. Place the cover on the junction box and make sure the cover is securely fastened and turn on the power to the oven.
10. Leave these INSTALLATION instructions as well as the USE AND CARE MANUAL with the owner.

BOSCH

MANUEL D'INSTALLATION

four électrique Bosch encastré, simple et double

Models HBN 44../45../46..



**VEUILLEZ LIRE ATTENTIVEMENT CE MANUEL AVANT DE COMMENCER
L'INSTALLATION**

**IMPORTANT: Conservez ce manuel pour l'inspecteur électrique local.
INSTALLATEUR: Veuillez remettre ce manuel au propriétaire de l'appareil pour référence.
PROPRIÉTAIRE: Veuillez garder ce manuel et vous en servir pour référence.**

Table des matières

INTRODUCTION	15
OUTILS DONT VOUS AUREZ BESOIN	15
SPÉCIFICATIONS ÉLECTRIQUES REQUISES.....	15
CHOIX DE L'EMPLACEMENT DU FOUR.....	15
ÉTAPES DE L'INSTALLATION.....	15
DONNÉES TECHNIQUES	16
FOUR SIMPLE	16
FOUR DOUBLE	16
INSTALLATION SOUS LE COMPTOIR	17
FOUR SIMPLE	17
INSTALLATION MURALE	18
FOUR SIMPLE	18
FOUR DOUBLE	19
ALIMENTATION EN ÉLECTRICITÉ	20
FILS ÉLECTRIQUES REQUIS	20
CONNEXION À UN CIRCUIT À 208 VOLTS	21
LES CONNEXIONS ÉLECTRIQUES	22
CIRCUIT À 3 FILS	22
CIRCUIT À 4 FILS	22
LISTE DE VÉRIFICATION FINALE	23

-

INTRODUCTION

Veillez lire entièrement et attentivement les instructions contenues dans ce manuel. Cela vous permettra de gagner du temps et d'obtenir de meilleurs résultats de votre four. Prenez soin de respecter toutes les MISES EN GARDE.

Les instructions d'installation sont destinées à un installateur qualifié. En plus de ces instructions, le four doit être installé comme suit:

- Aux États-Unis, conformément aux Normes électriques nationales/Normes provinciales et municipales et/ou Normes locales.
- Au Canada, conformément aux normes canadiennes de l'électricité, Code C22.1-dernière édition/Normes provinciales et municipales et/ou normes locales.

Ces normes doivent être respectées en tout temps.

Note: Si ce four est installé au Canada, veuillez vous assurer que votre modèle comporte le symbole canadien UL indiqué ci-dessous:



Ce symbole canadien UL consiste en un cercle dans lequel sont inscrites les lettres UL et le tout est précédé d'un "C". Ce signe doit apparaître sur la plaque de spécifications du four, accompagné du symbole américain (même dessin UL, mais non précédé du "C").

OUTILS DONT VOUS AUREZ BESOIN

Pour installer votre nouveau four, vous aurez besoin des outils suivants:

- Un ruban à mesurer et une règle.
- Un crayon.
- Un tournevis Phillips.
- Un niveau à bulle d'air.
- Un coupe-fil électrique et un dénudeur de fil électrique.
- Une scie pour trous de 1".
- Une scie manuelle.

SPÉCIFICATIONS ÉLECTRIQUES REQUISES

Le four doit être alimenté par un courant de voltage et de fréquence adéquats. Il doit être relié à

une source de courant alternatif (C.A.) séparée, par un circuit à trois ou quatre fils à phase unique, 240 volts, 60Hz. Si vous devez utiliser un circuit de 208 volts, il faut absolument modifier le filage à l'intérieur du four. Référez-vous à **Connexions à un circuit de 208 volts**, dans ce manuel. Il est recommandé d'avoir un disjoncteur ou un fusible empêchant l'appareil d'aller au-delà des limites indiquées sur la plaque de spécifications fixée sur le cadre du four, derrière la porte.

Ce four doit être connecté à l'aide de fils électriques en cuivre SEULEMENT.

Nous vous recommandons de faire installer et brancher votre four par un électricien qualifié. Après que l'installation est achevée, demandez à l'électricien de vous montrer où se trouve le dispositif principal de débranchement et quel est le disjoncteur/fusible du four.

CHOIX DE L'EMPLACEMENT DU FOUR

Choisissez avec soin l'endroit où vous placerez le four. Il devrait être facile d'accès dans la cuisine, mais loin des courants d'air. Les courants d'air sont causés par des portes ou fenêtres ouvertes, ou encore par le chauffage et/ou la climatisation/ventilation. Assurez-vous que l'endroit que vous avez choisi peut facilement être alimenté en électricité.

ÉTAPES DE L'INSTALLATION

Vous trouverez dans les pages qui suivent une description, étape par étape, de l'installation de votre four. En voici les principaux éléments:

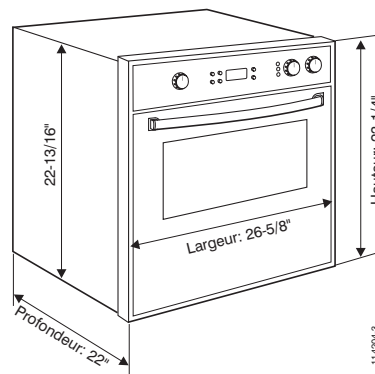
- Données techniques
- Dimensions de l'emplacement, espacements requis et instructions de montage pour:
 - > une installation sous le comptoir, four simple
 - > une installation murale, four simple
 - > une installation murale, four double
- Alimentation en électricité et filage requis
- Modifications nécessaires pour un circuit de 208 volts.
- Connexions électriques pour un circuit à 3 fils ou à 4 fils
- Liste de vérification finale

DONNÉES TECHNIQUES

FOUR SIMPLE

Pour les dimensions, référez-vous à la section intitulée
Préparation de l'emplacement

Modèles à four simple	Spécifications électriques et charge électrique maximale				Four à convection
	Volts	Hertz	Ampères 240V/208V	Watts 240V/208V	
HBN 442A UC	240/208	60	13.5/13.6	3,250/2,820	Oui
HBN 445A UC	240/208	60	13.5/13.6	3,250/2,820	Oui
HBN 446A UC	240/208	60	13.5/13.6	3,250/2,820	Oui

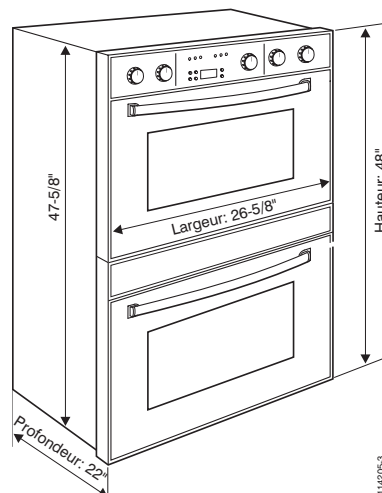


114204-3

FOUR DOUBLE

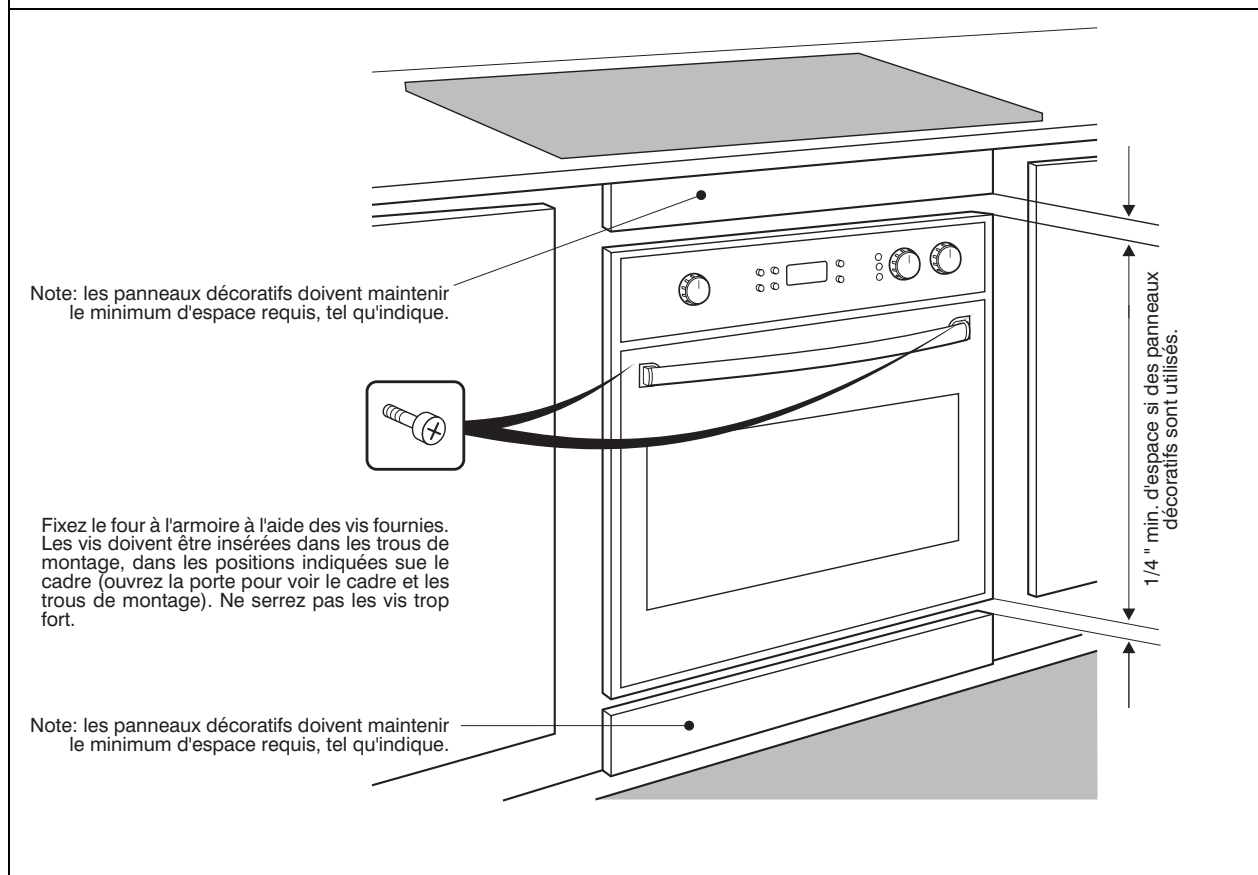
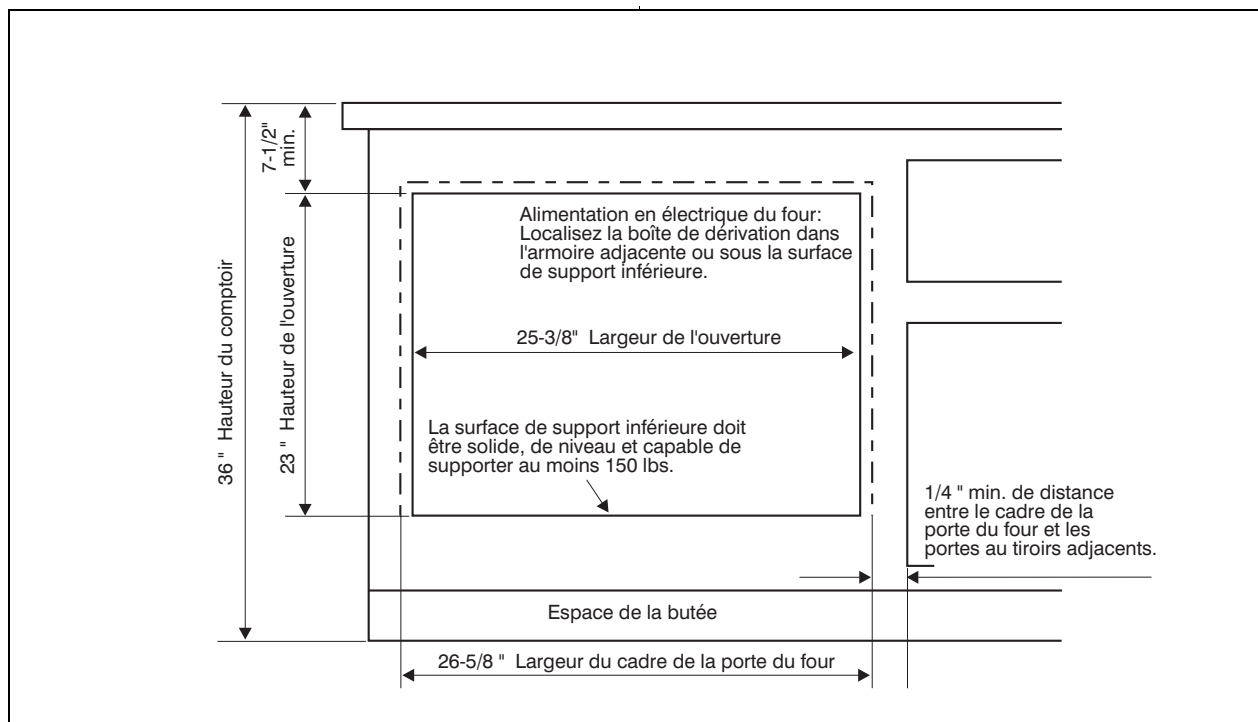
Pour les dimensions, référez-vous à la section intitulée
Préparation de l'emplacement.

Modèles à four double	Spécifications électriques et charge électrique maximale				Four à convection (haut/bas)
	Volts	Hertz	Ampères 240V/208V	Watts 240V/208V	
HBN 452A UC	240/208	60	26/26	6,250/5,400	Oui/Non
HBN 455A UC	240/208	60	26/26	6,250/5,400	Oui/Non
HBN 456A UC	240/208	60	26/26	6,250/5,400	Oui/Non
HBN 462A UC	240/208	60	26/26	6,250/5,400	Oui/Oui
HBN 465A UC	240/208	60	26/26	6,250/5,400	Oui/Oui
HBN 466A UC	240/208	60	26/26	6,250/5,400	Oui/Oui



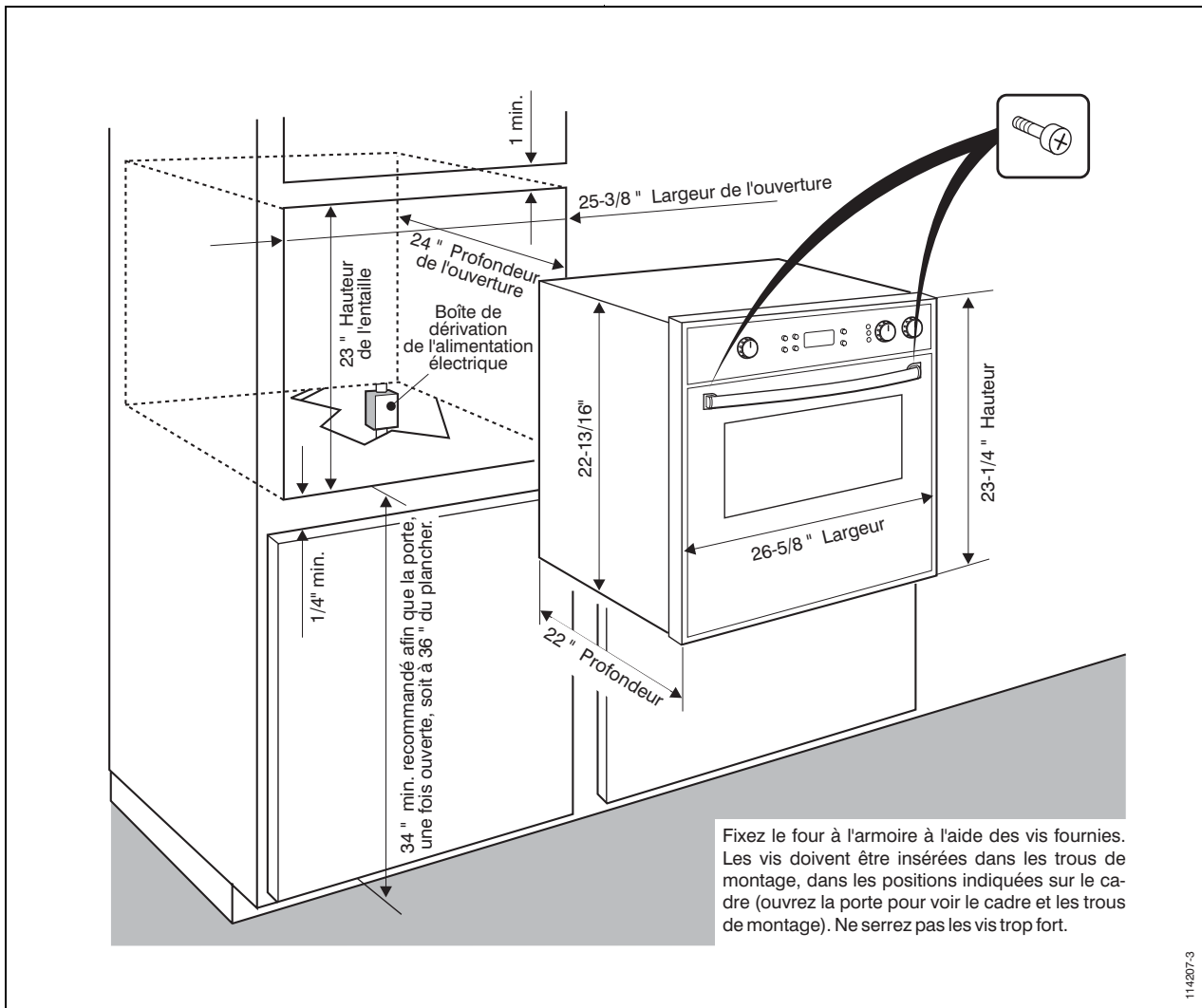
114205-3

INSTALLATION SOUS LE COMPTOIR, FOUR SIMPLE



Veillez vous référer aux notes et mises en garde mentionnées sous. **Installation murale, four simple** (page opposée).

INSTALLATION MURALE, FOUR SIMPLE



- Note:**
1. Ne faites pas glisser le four sur le plancher car cela pourrait endommager le plancher.
 2. La surface de support du four doit être en contre-plaqué d'une épaisseur d'au moins 3/4", solide, de niveau et encasté dans l'alignement de l'armoire.
 3. Soyez très prudent lorsque vous déplacez ou installez le four. Il est très lourd.
 4. Faites attention à ne pas endommager le cadre du four ou les armoires, lorsque vous installez le four.
 5. Veillez à placer le four de niveau. S'il n'est pas de niveau, les résultats de la cuisson s'en ressentiront.

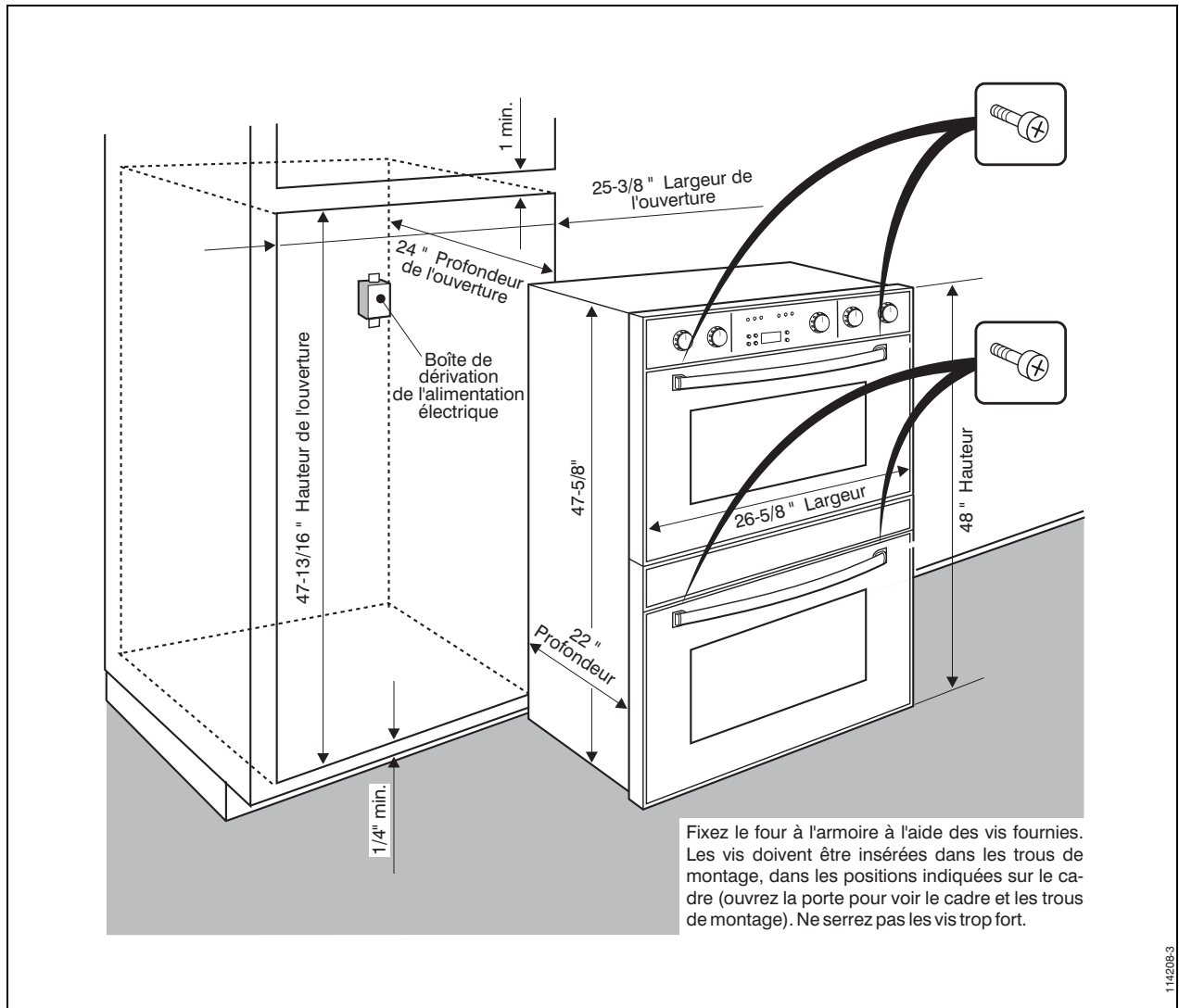
6. En plaçant le four, prenez soin de ne pas coincer le conduit entre l'arrière du four ou le mur et la paroi de l'armoire ou le plancher.



MISE EN GARDE

Fixez bien le four à l'armoire à l'aide des vis fournies. Si vous ne le faites pas, cela pourrait résulter en un déplacement ou un basculement du four et pourrait endommager le four, les armoires ou encore causer des blessures.

INSTALLATION MURALE, FOUR DOUBLE



- Note:**
1. Ne faites pas glisser le four sur le plancher car cela pourrait endommager le plancher.
 2. La surface de support du four doit être en contre-plaqué d'une épaisseur d'au moins 3/4", solide, de niveau et encasté dans l'alignement de l'armoire.
 3. Soyez très prudent lorsque vous déplacez ou installez le four. Il est très lourd.
 4. Faites attention à ne pas endommager le cadre du four ou les armoires, lorsque vous installez le four.
 5. Veillez à placer le four de niveau. S'il n'est pas de niveau, les résultats de la cuisson s'en ressentiront.

6. En plaçant le four, prenez soin de ne pas coincer le conduit entre l'arrière du four ou le mur et la paroi de l'armoire ou le plancher.



MISE EN GARDE

Fixez bien le four à l'armoire à l'aide des vis fournies. Si vous ne le faites pas, cela pourrait résulter en un déplacement ou un basculement du four et pourrait endommager le four, les armoires ou encore causer des blessures.

ALIMENTATION EN ÉLECTRICITÉ

Avant d'installer le four, demandez à un électricien qualifié de vérifier que votre maison dispose d'un service électrique adéquat et que le rajout d'un four ne surchargera pas le circuit. Un circuit séparé, à trois ou quatre fils, à phase unique, 240 volts, 60Hz, ou 208 volts, 60 Hz est requis.

Note: Si vous utilisez un circuit de 208 volts, 60 Hz, il faut modifier le filage tel qu'indiqué dans: **Connexions à un circuit de 208 volts.**

Pour brancher le four, vous devrez placer une boîte de dérivation à un endroit facile d'accès, à l'intérieur de l'armoire où est placé le four. Le four est muni d'un conduit de 3 pieds de long. Laissez deux ou trois pieds de fil lâche pour que le four puisse être facilement déplacé en cas de réparation. **NE RACCOURCISSEZ PAS** le conduit flexible.



MISE EN GARDE

DANGER DE CHOC ÉLECTRIQUE

- Le courant électrique alimentant le four doit être coupé durant le branchement.
- N'utilisez pas de rallonge électrique avec cet appareil.
- Cet appareil nécessite une mise à la terre. L'extrémité du fil vert (fil de mise à la terre) doit être reliée à une mise à la terre adéquate.
Ce fil électrique doit rester relié au four.
- Si les tuyaux d'eau froide comportent des parties en plastique, des joints non-métalliques ou d'autres matériaux isolants, **NE LES UTILISEZ PAS** pour la mise à la terre.
- **N'UTILISEZ PAS DE TUYAUX DE GAZ** pour la mise à la terre.
- Ne placez pas de fusible sur le fil **NEUTRE** ou le fil de **MISE A LA TERRE**. Un tel fusible pourrait résulter en un choc électrique.
- Si vous avez le moindre doute, faites vérifier par un électricien que votre appareil est bien mis à la terre.

Le fait de ne pas se conformer à ces instructions peut entraîner de sérieuses blessures ou la mort.

FILS ÉLECTRIQUES REQUIS

Lors des connexions des fils de votre appareil, utilisez toute la longueur du conduit électrique fourni (3 pieds). Ne coupez pas ce conduit.

Avant de brancher l'appareil à la source d'électricité, assurez-vous que le courant est coupé et suivez les instructions ci-dessous:

1. Un circuit distinct à trois ou quatre fils, à phase unique, 240 volts, 60Hz, ou 208 volts, 60 Hz est requis pour ce four.
2. Le four doit être connecté à l'aide de fils électriques en cuivre **SEULEMENT**.
3. **Aux États-Unis:**

Le filage doit être conforme aux Normes électriques nationales, et à la dernière édition de l'ANSI/NFPA No 70. Pour obtenir une copie du Code électrique National, faites-en la demande à:

National Fire Protection Association
Batterymarch Park
Quincy, MA 02269

Au Canada:

Le filage doit être conforme aux Normes canadiennes de l'électricité, Code C22.1 - dernière édition. Pour obtenir une copie du Code canadien de l'électricité, faites-en la demande à :

Canadian Standards Association
178 Rexdale Boulevard
Rexdale (Toronto), Ontario, Canada
M9W 1R3

4. Le calibre des fils (**EN CUIVRE SEULEMENT**) et les connexions doivent être appropriées au type d'appareil et conformes aux exigences des Normes électriques nationales. Le câble flexible sortant du four doit être relié directement à la boîte de dérivation.
5. La boîte de dérivation doit être placée de manière à permettre une certaine liberté de mouvement du four, au cas où on ait à déplacer l'appareil pour réparation.
6. Un connecteur marqué **UL** doit être placé à chaque extrémité du câble d'alimentation électrique.

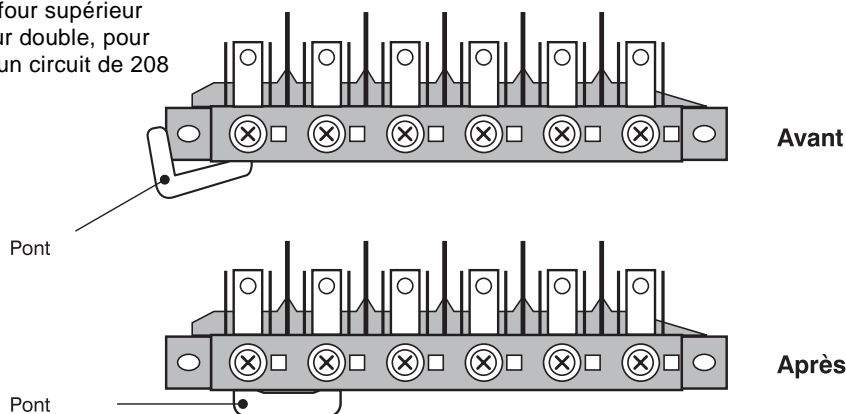
CONNEXION À UN CIRCUIT À 208 VOLTS

Les fours sont équipés de filage pour une connexion à un circuit de 240 volts, 60 Hz. Si vous avez l'intention de le brancher à un circuit de 208 volts, vous devrez placer un câble entre deux terminaux. Pour les modèles à fours doubles, il faudra deux câbles, un pour le four du haut et un autre pour le four du bas. Veuillez vous référer aux illustrations ci-dessous pour l'installation des câbles nécessaires à un circuit de 208 volts, 60 Hz.

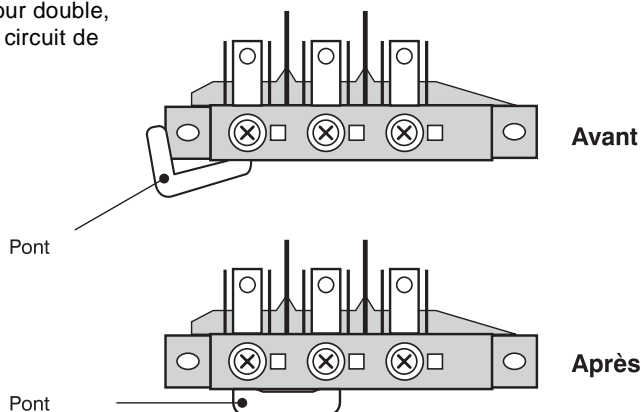
Pour une telle connexion, effectuez ce qui suit:

- 1 Enlevez le(s) panneau(x) d'accès situés à l'arrière du(des) four(s).
- 2 Dévissez légèrement la première et la deuxième vis du bloc du terminal, tel qu'il lustré ci-dessous.
- 3 Placez le câble en métal entre la première et la deuxième vis et resserrez les vis afin que le câble reste en place.
- 4 Remplacez les panneaux d'accès.

Installation du câble pour un four simple ou le four supérieur d'un modèle à four double, pour une connexion à un circuit de 208 volts, 60 Hz.



Installation du câble pour le four inférieur d'un modèle à four double, pour une connexion à un circuit de 208 volts, 60 Hz.



LES CONNEXIONS ÉLECTRIQUES

Ce four est fourni avec un fil électrique de MISE À LA TERRE vert, rattaché au châssis. Après vous être assuré que le courant est coupé, reliez le conduit flexible du four à la boîte de dérivation à l'aide d'un connecteur approuvé U.L. Les figures A et B et les instructions suivantes présentent le moyen le plus commun de brancher les fours. Les normes et règlements locaux régissant l'électricité ont cependant préséance sur ces instructions. Effectuez les connexions électriques conformément aux codes et règlements locaux.

CIRCUIT À 3 FILS

Référez-vous à la figure A pour laquelle les codes et règlements locaux permettent la connexion du fil de MISE À LA TERRE du four au fil du circuit NEUTRE (fil blanc ou gris):

- Si les règlements locaux le permettent, reliez le fil vert de MISE À LA TERRE provenant du four et le fil blanc provenant du four, au fil blanc ou gris du circuit NEUTRE.
- Reliez les fils rouges et noirs provenant du four, aux fils de couleur correspondante dans la boîte de dérivation.

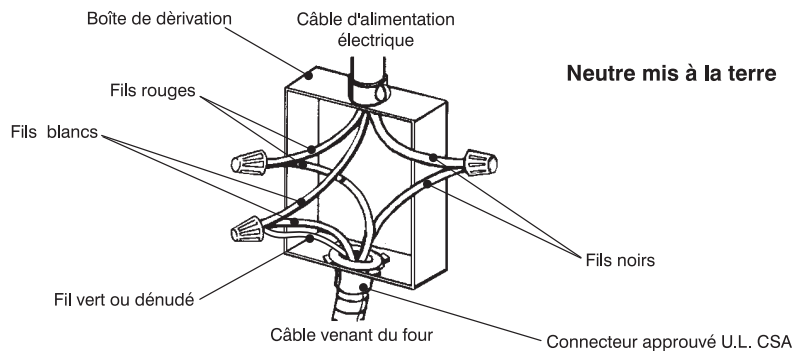


Figure A.

114075-3

CIRCUIT À 4 FILS

Référez-vous à la figure B:

- Reliez le fil vert de MISE À LA TERRE, provenant du four, au fil de MISE À LA TERRE dans la boîte de dérivation (fil dénudé ou de couleur verte).

- Reliez les fils rouges et noirs provenant du four, aux fils de couleur correspondante dans la boîte de dérivation.
- Reliez le fil blanc provenant du four au fil NEUTRE (gris ou blanc) dans la boîte de dérivation.

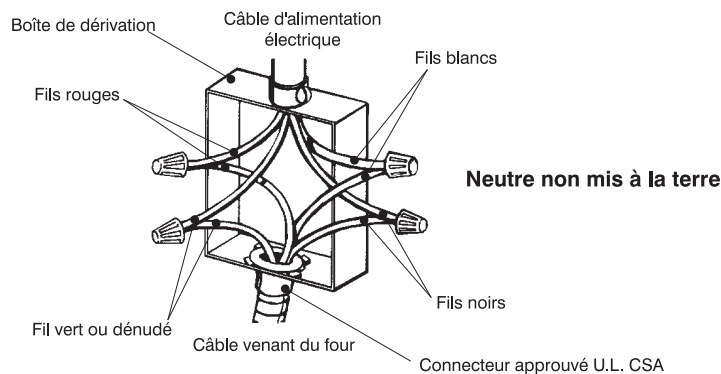


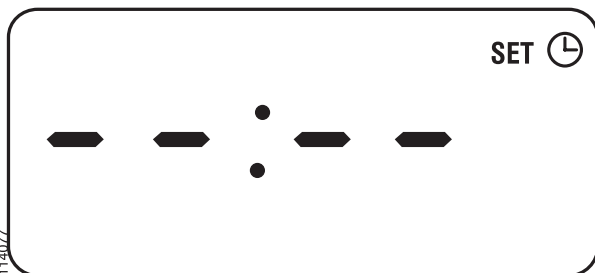
Figure B.

114076-3

LISTE DE VÉRIFICATION FINALE

Afin d'éviter toute connexion incorrecte pouvant causer des dommages aux composantes électriques et entraîner une annulation de la garantie, veuillez effectuer ce qui suit:

1. Vérifiez les conditions électriques requises et assurez-vous que vous disposez des articles électriques adéquats et que le four est correctement mis à la terre.
2. Assurez-vous que tous les boutons de commande sont à la position OFF.
3. Branchez le courant alimentant le four. Lorsqu'on allume le four pour la première fois, l'écran d'affichage va afficher toutes les données puis va se vider de tout signe, sauf celui de l'horloge (SET) dans le coin supérieur droit.



4. Vérifiez l'alimentation en courant dans la boîte de dérivation à l'aide d'un voltmètre ayant un rayon de 0-250 VAC. Si vous êtes sur un circuit de 240 volts, la lecture du voltage entre les fils noirs et rouges (de ligne à ligne) doit être de 220 à 240 volts. Si vous

avez modifié le four pour un circuit de 208 volts, la lecture doit alors être entre 190 et 208 volts.

5. Réglez l'horloge en appuyant sur le bouton Set Clock et en appuyant sur les boutons plus (+) ou moins (-), à droite de l'afficheur. Une fois que l'heure juste est atteinte, appuyez sur le bouton **Set Clock** pour introduire l'heure. Un "bip" se fera entendre et le symbole de l'horloge dans le coin supérieur droit disparaîtra. lus (+) or minus (-).
6. Tournez le bouton sélecteur de mode à la position Manuelle, le bouton sélecteur à "Bake" et le bouton de la température à 350°F. Le ventilateur et les lampes du four devraient s'allumer, indiquant que le four est en marche. Tournez le bouton de la température à "OFF". S'il s'agit d'un modèle à four double, répétez les mêmes procédures pour le deuxième four.
7. Pour vérifier les autres fonctions du four, référez-vous à la section "Utilisation des commandes du four" dans le manuel d'utilisation et d'entretien.
8. Si le four fonctionne bien, remettez les boutons sélecteurs et le bouton de la température à la position OFF, puis coupez le courant.
9. Remplacez le couvercle de la boîte de dérivation, assurez-vous qu'il est bien fixé et rebranchez le courant.
10. Ce manuel d'installation ainsi que le manuel d'utilisation et d'entretien doivent être remis au propriétaire de l'appareil.

