

INSTALLATION INSTRUCTIONS

FOR THERMADOR® BUILT-IN ELECTRIC OVENS

Models:

C272 / C302 / CM302 / CJ302 / CJ301 / C271 / C301 / CM301
SC272 / SCD272 / SC301 / SC302 / SCD302 / SMW272 / SM272



Please read this entire instruction manual before proceeding.

IMPORTANT: Local codes vary. Installation, electrical connections, circuit breakers and grounding must comply with all applicable codes. Save these instructions for the Local Electrical Inspector's use.

INSTALLER: Please leave these Installation Instructions with this unit for the owner.

OWNER: Please retain these instructions for future reference.

WARNING: Disconnect power at the breaker before installing.

Thermador®

TABLE OF CONTENTS

STEP 1: UNPACKING	2
STEP 2: CABINET PREPARATION	2
STEP 3: ELECTRICAL INSTALLATION	6
STEP 4: INSTALLING THE OVEN	7
STEP 5: INSTALLING THE BOTTOM TRIM	8

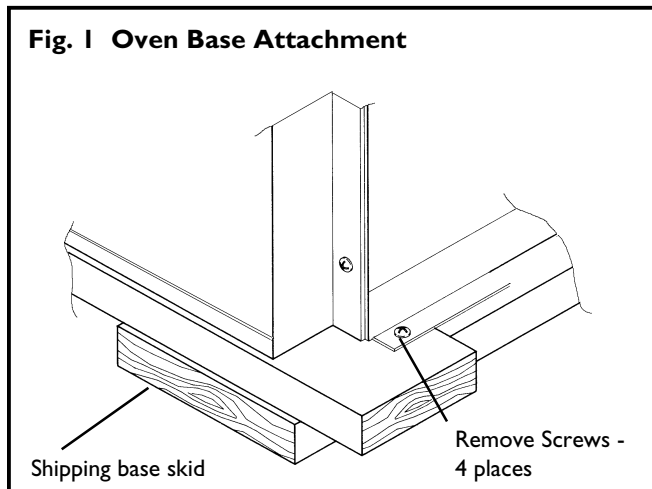
STEP 1: UNPACKING

Cut the bands from the carton. Carefully remove the carton, fillers and all packing material. Included with your new Thermador oven are the following:

Number of Racks Per Oven Model	
C272/C302/CM302	6
SCD272/SCD302	6
SC272/SC302	5
CJ302	4
SC301/C271/C301/CM301/SMW272/SM272	3
CJ301	1

- One 2-Piece Broiler Pan (Excluding CJ 301)
- Care & Use Manual
- Installation Instructions
- Bottom Trim
- Installation Screws (Packet)
- Quick Guide
- Cookbook (C, CJ and CM models only)

Fig. 1 Oven Base Attachment



The bottom trim is shipped, wrapped in waxed paper, on top of the unit and should not be unpacked until the final step when the oven has been placed in the cabinet. See Fig. 6.

STEP 2: CABINET PREPARATION

The cabinet cutout dimensions for wall mounted and under the counter installations are shown in Figs. 2 and 3, respectively.

It is good practice, when oven is installed at the end of a cabinet run, adjacent to a perpendicular wall or cabinet door, to allow at least 1/4" space between the side of the oven door and the wall/door.

Wall Mounted Units —

For oven support, install 2 x 4's extending front to back flush with the bottom and the side of the opening.

The supporting base must be well secured to the floor/cabinet and level with the floor line.

WARNING

To prevent potentially hazardous grease collection from spills, the back of the base for CJ Ovens must not be below the level of the front.

NOTE: The conduit box for double ovens (SC272, SCD272, SC302, SCD302, C272, C302, CM302, CJ302, SMW272 and SM272) should be located above the unit to facilitate connecting and servicing. For single ovens (SC301, C271, C301, CJ301 and CM301) the conduit box may be installed either above or below the unit. If the conduit box is installed below the unit, a 2" diameter hole or space is required between the back wall and the right rear of the 2 x 4 supports. See Figure 2.

When an oven is installed, the cabinet base must be capable of supporting the oven weight as listed below:

Oven	Pounds	Kilograms
S-series Single Oven	165	75
C-series Single Oven	210	95
CM Single Oven	240	109
S-series Double Oven	330	150
C-series Double Oven	355	161
CM/CJ Double Oven	370	168
CJ Single Oven	280	127

Fig. 2- Cabinet Cutout - Wall Mounted Installation

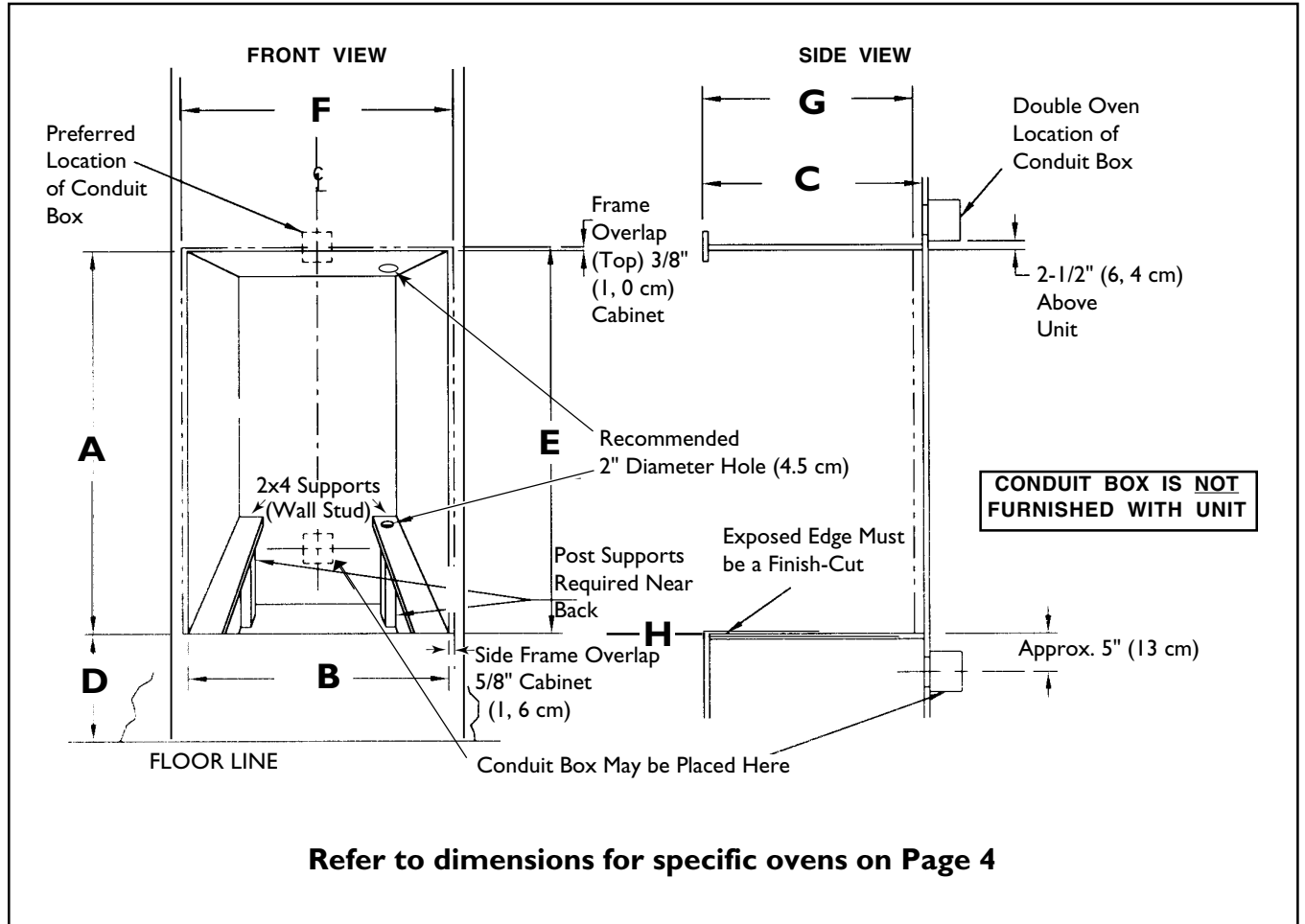


Fig. 2- Cabinet Cutout - Wall Mounted Installation

27" Built-In Electric Double Wall Ovens: C272, SC272, SCD272							
Cabinet Cutout Dimensions				Overall Dimension			
A (Height)	B (Width)	C (Depth)	D (Floor to Cutout)	E (Height)*	F (Width)**	G (Depth)	H*** Door Extension
51-1/8" (129, 9 cm)	25-1/2" (64, 8 cm)	24" (61, 0 cm)	9-3/4" (24, 8 cm)	51-1/2" (130, 8 cm)	26-3/4" (68, 0 cm)	23-7/8" (60, 6 cm)	22" (55, 9 cm)
27" Built-In Electric Single Wall Ovens: C271							
Cabinet Cutout Dimensions				Overall Dimension			
A (Height)	B (Width)	C (Depth)	D (Floor to Cutout)	E (Height)*	F (Width)**	G (Depth)	H*** Door Extension
28-1/4" (71, 8 cm)	25-1/2" (64, 8 cm)	24" (61, 0 cm)	4-3/4" to 31-3/8" (12, 1 to 79, 7 cm)	28-5/8" (72, 7 cm)	26-3/4" (68, 0 cm)	23-7/8" (60, 6 cm)	22" (55, 9 cm)
27" Built-In Electric Wall Ovens: SMW272							
Cabinet Cutout Dimensions				Overall Dimension			
A (Height)	B (Width)	C (Depth)	D (Floor to Cutout)	E (Height)*	F (Width)**	G (Depth)	H*** Door Extension
55-3/8" (140, 6 cm)	25-1/2" (64, 8 cm)	24" (61, 0 cm)	9-3/4" (24, 8 cm)	55-3/4" (141, 6 cm)	26-3/4" (68, 0 cm)	23-7/8" (60, 6 cm)	22" (55, 9 cm)30"
27" Built-In Electric Wall Ovens: SM272							
Cabinet Cutout Dimensions				Overall Dimension			
A (Height)	B (Width)	C (Depth)	D (Floor to Cutout)	E (Height)*	F (Width)**	G (Depth)	H*** Door Extension
45-3/4" (116, 2 cm)	25-1/2" (64, 8 cm)	24" (61, 0 cm)	19-1/2" (50 cm)	46-1/8" (117, 1 cm)	26-3/4" (68, 0 cm)	23-7/8" (60, 6 cm)	22" (55, 9 cm)30"
Built-In Electric Double Wall Ovens: C302, CM302, SC302, SCD302 - Excluding CJ302 (See below)							
Cabinet Cutout Dimensions				Overall Dimension			
A (Height)	B (Width)	C (Depth)	D (Floor to Cutout)	E (Height)*	F (Width)**	G (Depth)	H*** Door Extension
51-1/8" (129, 9 cm)	28-1/2" (72, 4 cm)	24" (61, 0 cm)	9-3/4" (24, 8 cm)	51-1/2" (130, 8 cm)	29-3/4" (75, 6 cm)	23-7/8" (60, 6 cm)	22" (55, 9 cm)
30" Built-In Electric Single Wall Ovens: C301, CM301, SC301							
Cabinet Cutout Dimensions				Overall Dimension			
A (Height)	B (Width)	C (Depth)	D (Floor to Cutout)	E (Height)*	F (Width)**	G (Depth)	H***
28-1/4" (71, 8 cm)	28-1/2" (72, 4 cm)	24" (61, 0 cm)	4-3/4" to 31-3/8" (12, 1 to 79, 7 cm)	28-5/8" (72, 7 cm)	29-3/4" (75, 6 cm)	23-7/8" (60, 6 cm)	22" (55, 9 cm)
30" Built-In Electric Double Wall Oven: CJ302							
Cabinet Cutout Dimensions				Overall Dimension			
A (Height)	B (Width)	C (Depth)	D (Floor to Cutout)	E (Height)*	F (Width)**	G (Depth)	H***
45-5/8" (115, 9 cm)	28-1/2" (72, 4 cm)	24" (61, 0 cm)	15-1/4" (38, 7 cm)	46" (116, 8 cm)	29-3/4" (75, 6 cm)	23-7/8" (60, 6 cm)	22" (55, 9 cm)
30" Built-In Electric Double Wall Oven: CJ301							
Cabinet Cutout Dimensions				Overall Dimension			
A (Height)	B (Width)	C (Depth)	D (Floor to Cutout)	E (Height)	F (Width)	G (Depth)	H***
23-7/8" (60, 6 cm)	28-1/2" (72, 4 cm)	24" (61, 0 cm)	9-1/4" to 35-7/8" (23.5 to 91, 1 cm)	24-1/4" (61, 6 cm)	29-3/4" (75, 6 cm)	23-7/8" (60, 6 cm)	22" (55, 9 cm)

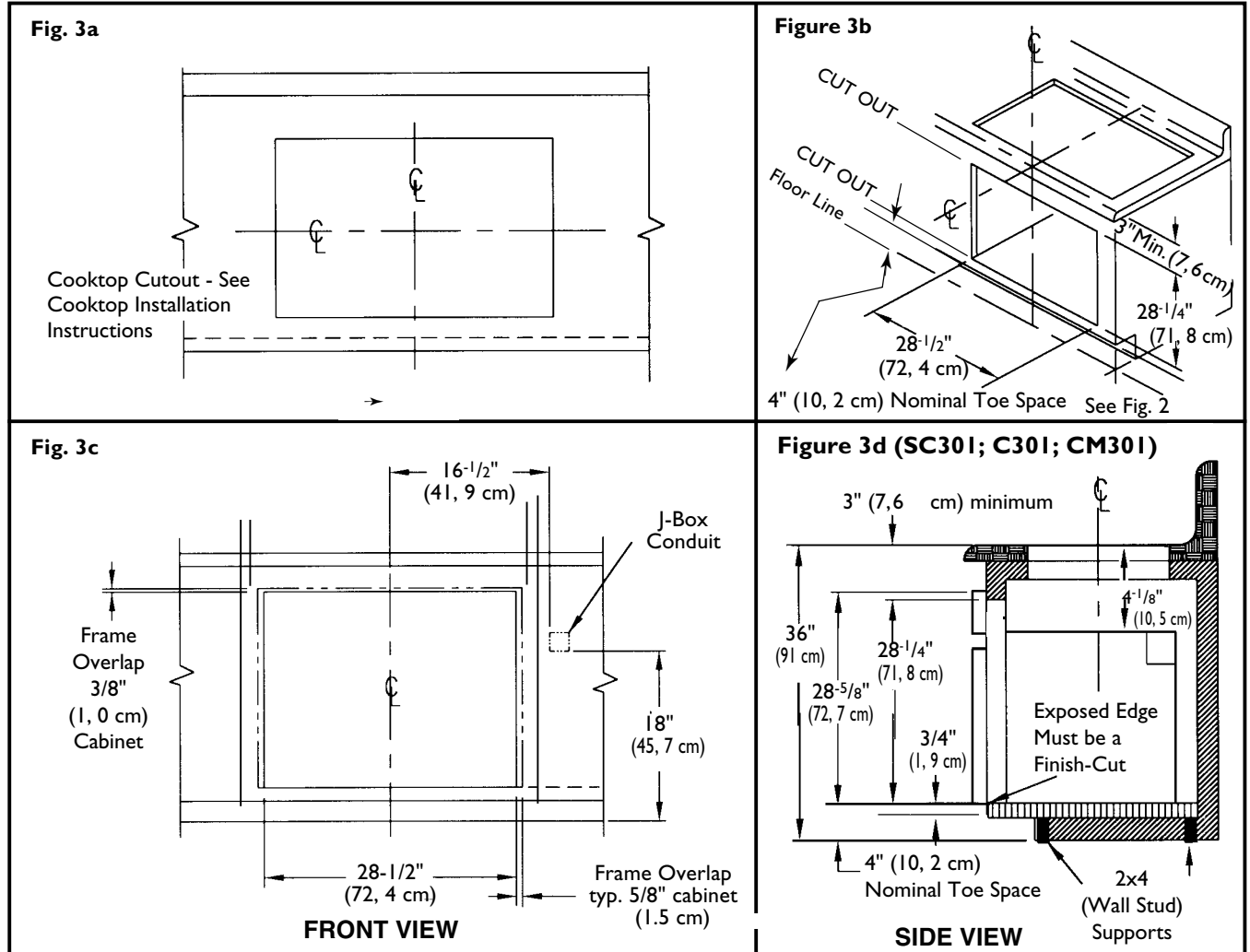
* Add 1/16" for stainless steel ovens (S- Series Ovens Only) ** Add 1/8" for stainless steel ovens (S- Series Ovens Only)
 *** Measured from cabinet face, largest door.

Under the Counter Units —

A single oven (SC301, C301, CJ301 or CM301) installed under the counter allows for the installation of most Thermador Gas or Electric non-Cook'n'Vent® Model Cooktops. (See Table I for recommended cooktop models.) **Downdraft units cannot be installed in this configuration;** Thermador overhead ventilation is recommended.

A Thermador cooktop should be installed on the same center line as the under-the-counter single oven. Follow the installation instructions provided with cooktop for installation of cooktops. Three (3) inches (7.5 cm) minimum is required from the top of the countertop to the top of the cutout opening (see Figure 3d) for under-counter installation with Thermador cooktops (see Table I, Page 6). If the type

Fig. 3 - Cabinet Cutout - 30" Single Oven Under the Counter Installation



of cabinet or countertop thickness does not provide for this minimum space, the cabinet base may have to be lowered, into the toe space, to provide the necessary space above the oven.

Some TMH cooktops require additional clearances to combustible walls. Refer to Fig. 4 for specific models and dimensions.

NOTE: The Thermador Oven Models SC301, C301, CJ301 or CM301 under the counter and cooktop combination are a UL and CUL approved installation.

Side-by-side installation units —

The minimum distance required for side by side installation is 2 inches (5, 1 cm) from one vertical edge of the cabinet cutout to the adjacent edge of the next cabinet cutout. Use only Thermador Trim Piece D30SXSB (black) or D30SXSW (white) for side-by-side installation in place of the standard cabinet face between the 2 ovens. This will leave a 3/4" (2 cm) space from one vertical edge of the door to the adjacent edge of the other door. **Do not install a cabinet wall partition between the two ovens.**

**Table I
Under-The-Counter Installation with
Thermador Cooktops**

Model Number	Type of Cooktop	Model Number	Type of Cooktop
CER30 CE304 CE365 CE456	Glass Ceramic top - electric	CGX304 CGX365 CGX456	Glass Ceramic top - gas
*TMH30 *TMH36G *TMH45P	Steel top - electric coil	SGC304R SGC365R SGC456R SGCS304R SGCS365R SGCS456R SGS36G	Steel top - gas
GG30 GG365	Glass top - gas	CD365 CD456	Glass Ceramic top - gas and electric

* See Figure 4

STEP 3: ELECTRICAL INSTALLATION

All model ovens on the front cover are dual rated, designed to be connected to either 120/240V AC or 120/208V AC, 60 Hz, 4 wire, single-phase power supply.

The SC301 requires a 20-amp circuit. The C271, C301, CM301, CJ301, SMW272 and SM272 require a 30-amp circuit. The SC272, SCD272, C272, SC302, SCD302 and C302 require a 40-amp circuit. The CM302 and CJ302 require a 50-amp circuit.

The electrical supply should be a 4-wire single-phase AC. Install a suitable conduit box (not furnished) as shown in Figures 2 or 3.

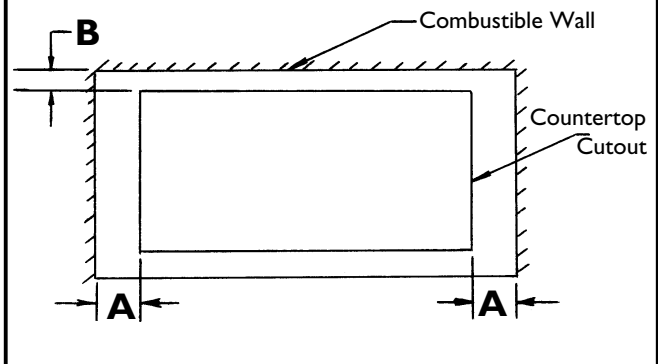
Electrical connection:

1. Connect the red oven wire to the red electrical supply wire (hot wire).
2. Connect the black oven wire to the black electrical supply wire (hot wire).
3. Connect the white neutral oven wire to the white neutral (not bare ground) electrical supply wire.
4. Connect the bare ground oven wire to the bare ground electrical supply wire.

The conduit cable, where connected at the oven, swivels. Rotate conduit cable upward (or downward) and direct through hole prepared in cabinet to attach to J-Box.

To facilitate service, the flex conduit must not be shortened and should be routed to permit temporary removal of the oven.

Fig. 4- TMH Models Installation Minimum Wall Clearance



Cooktop	Minimum Distance to Combustible Wall	
Model	A (cm)	B (cm)
TMH30	3" (7, 6 cm)	2" (5, 1 cm)
TMH36G	2-7/8" (7, 3 cm)	2-3/4" (7, 0 cm)
TMH45P	3-3/4" (9, 5 cm)	2" (5, 1 cm)

GROUNDING

IMPORTANT: Local Codes might vary, installation, electrical connections and grounding must comply with all applicable local codes.

If local codes permit grounding through the electrical supply neutral, connect both the white neutral wire and the bare ground wire from the oven to the white neutral electrical supply wire.

208V ELECTRICAL HOOKUP

Applies to C271, C272, C301, C302, CM301, CM302, CJ301 and CJ302 models only.

Your oven has been preset to be hooked up to 240V.

1. Turn off the oven(s).
2. Open the upper oven door.
3. Press and hold the UPPER OFF pad in a double oven or the OFF pad in a single oven.
4. While the UPPER OFF pad or the OFF pad is held down, press the CLEAN pad .

5. 240 will appear in the temperature digits. Release all pads.

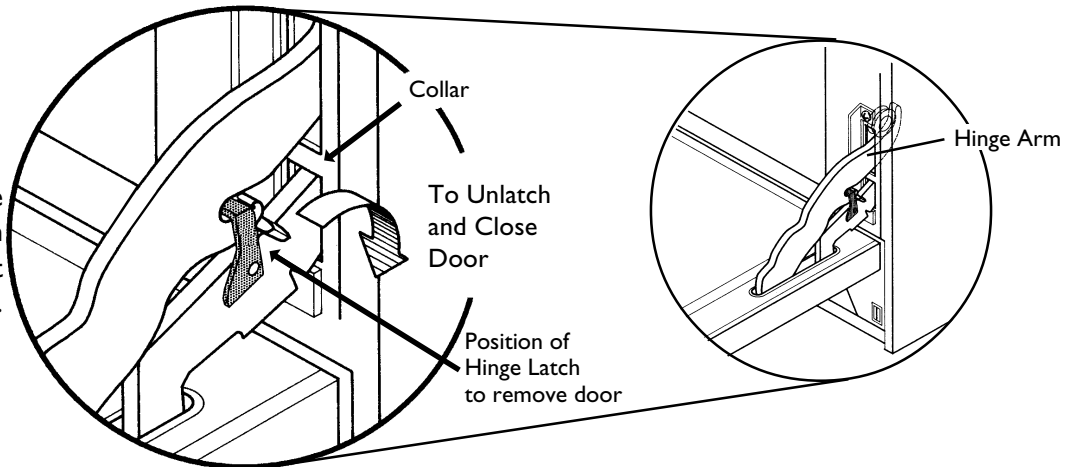
6. Touch CLEAN and 208 replaces 240 in the temperature digits. This will toggle between 208 and 240 with touches of the Clean pad.

7. To complete the change, touch UPPER OFF or OFF.

Note: When power is first supplied to the unit (and the door is unlocked), the CLOCK will flash. Set Time of Day as described in the Care and Use Manual. If the door is locked, the LOCK symbol will light for a few seconds while door is automatically unlocking and CLOCK will flash.

**Fig. 5 -
Removing
the Door**

Note: Removing the door for installation reduces the weight of the oven by 30 lbs. (14 kg) per door.



STEP 4: INSTALLING THE OVEN

CAUTION: DO NOT MOVE OR LIFT OVEN BY DOOR HANDLE. DOOR GLASS BREAKAGE MAY OCCUR.

CAUTION: THE DOOR OF THE CM301 AND CJ301 AND THE UPPER DOOR OF THE CJ302 AND CM302 ARE NOT REMOVABLE.

For ease of installation, some oven door(s) may be removed to reduce the weight of the oven by 30 pounds per door. To remove the door, open the door and hold it all the way open. Close the hinge latches See Fig. 5. The door can now be removed by gently lifting and pulling the door, (including the hinges) up and out of the frame.

Anchor flexible metallic conduit to conduit box with suitable box connector. Connect power supply leads to oven conduit supply leads, being sure that neutral wire is connected to white wire.

Remove the bottom trim from the top of the unit. Remove the base skid. See Fig. 1. Slide the oven into the opening being careful not to scratch side trims. Secure oven with the 4 screws provided (2 each side) through the side of the front frame into the cabinet.

After installing the unit, replace the door(s), be certain both hinge arms are well inserted and secure, and that the hinge latch is fully released.

IMPORTANT: Reinstall the door very carefully. Be certain that the hinge arm does not hit the porcelain collar around the clearance slot or it will chip the porcelain.

STEP 5: INSTALLING THE BOTTOM TRIM

(except CJ301)

Install the bottom vent trim and secure with (2) screws provided, one at each top end corner of the trim. The sheet metal bottom of the oven should be under the trim, except for the section at the center. To install the screws, open the door. The holes are visible at each end below the left and right hinges. Place and tighten screws. See Fig. 6 View 'A'.

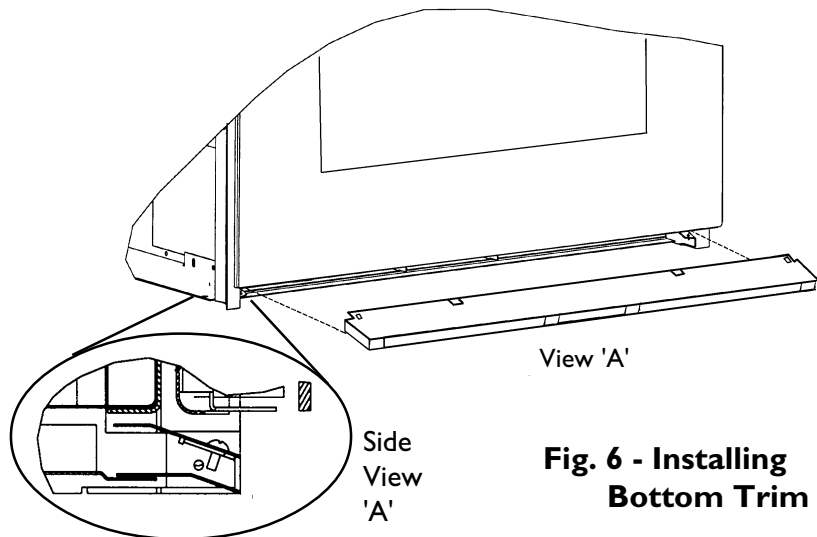


Fig. 6 - Installing Bottom Trim

Thermador reserves the right to change specifications or design without notice. Some models are certified for use in Canada. Thermador is not responsible for products which are transported from the United States for use in Canada. Check with your local Canadian distributor or dealer. Thermador, 5551 McFadden Avenue, Huntington Beach, CA 92649.

For the most up to date critical installation dimensions by fax, use your fax handset and call 702/833-3600. Use code #8030.

Thermador[®]

5551 McFadden Avenue, Huntington Beach, CA 92649 • 800/735-4328
RO 8590 • 16-11-461A • ©2001 BSH Home Appliances Corp. • Litho Date: 8/01